

aeris® medium & large

applications

- Landscaped areas
- Car parks
- Amenity areas
- Town squares
- Retail parks
- Entrance roads
- Parks

Aeris® successfully combines a low profile contemporary design with exceptional technical performance. Combined with its complementary range of columns and brackets, Aeris® enhances the environment with its daytime appearance when used in a variety of applications. Aeris® shields the night sky, providing full cut-off of light at and above the horizontal plane without compromising performance. Horizontal lamp optics offer an array of well-defined distributions while internal shields control stray light along property lines. The Aeris® high performance optical design reduces energy consumption, controls spill light and reduces glare, while addressing the needs for enhanced visibility. Aeris® is available in two sizes, medium and large.



features and benefits

Unique low profile style

- > Unique aesthetic appeal to complement today's architecture

Solid cast aluminium construction

- > Durability & strength

Limited upward light

- > 'Night time friendly'

Segmented optical system

- > Maximises design flexibility

Four light distributions

- > Maximum efficiency and uniformity for various applications

Single or twin mounting options

- > Flexibility for different types of application

lamp types included

Aeris medium:

35W - 150W ceramic metal halide

45W - 140W CosmoPolis

70W high pressure sodium

57W - 70W compact fluorescent

Aeris large:

150W - 400W ceramic metal halide

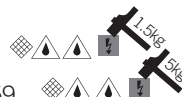
250W - 400W metal halide

150W - 400W high pressure sodium

140W cosmopolis

IP rating

Aeris Large IP657



Aeris Medium IP659

**approvals**

Complies with EN60598

CE



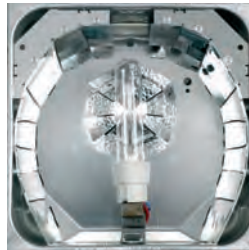
aeris segmented optics

The Aeris range provides night-time performance as dramatic as its daytime appearance. High performance optics make the best use of new efficient lamps, resulting in low energy consumption. Specular segmented optic reflectors are precisely tuned for improved performance particularly at lower mounting heights maintaining proper scale with the luminaire and its environment.

A choice of up to four distribution types provides effective coverage of roadways, car parks, walkways, building perimeters and campus environments. All reflectors are rotatable through 90° increments for versatility. This modular style of optic allows both the large and medium luminaire to have similar distributions for uniformity in lighting schemes.

The unique nature of the Aeris optics virtually eliminates the stripes, or striations, normally associated with horizontal lamp luminaires, the forward throw cut-off provides even more light in front of the pole while retaining its true cut-off of back light.

Aeris range is a true architectural lighting instrument with performance to match its looks.



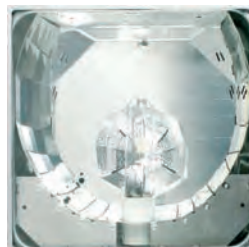
Asymmetric



Street



Forward Throw Cut-Off



Forward Throw Wide
aeris medium only





specification

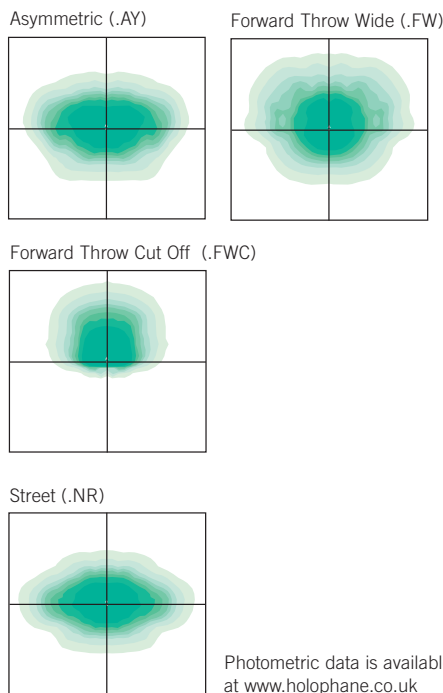
The luminaire body shall consist of a high pressure die cast aluminium housing, with the internal control gear and optic assembly secured to a removable gear tray. The luminaire shall be available in two sizes. Large 100W to 400W HPS and ceramic metal halide and Medium size 35W 70W & 150W ceramic metal halide, 70W HPS, 45W to 140W CosmoPolis and 42W to 70W compact fluorescent. The optics shall consist of a range of rotatable segmented high performance reflectors secured in a one piece deep drawn chassis to ensure precise optical alignment. The luminaire door shall consist of a high pressure die cast aluminium with a tempered flat glass lens. The luminaire is designed to be sealed to IP65.

windage

Code	
Aeris Medium	0.09m ²
Aeris Large	0.15m ²

light distributions

aeris™ medium & large



Photometric data is available at www.holophane.co.uk

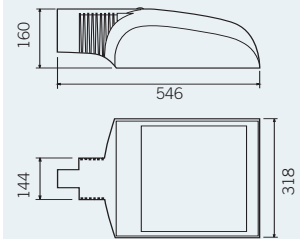
weights & thermal data

Unit Lamp Type	Weight (kg)	Minimum Operating Temperature (°C)	Maximum Ambient* Temperature (°C)
ASM 57W TRT	8.8	-10	50
ASM 70W TRT	8.8	-10	45
ASM 70W XT	9.3	-30	45
ASM 35W CDMT	9.0	-20	50
ASM 70W CDMT	9.3	-20	50
ASM 100W CDMT	9.3	-20	50
ASM 150W CDMT	10.0	-20	50
ASL 150W CDMT	15.7	-20	40
ASL 250W CDMT	16.1	-20	40
ASL 400W CDMT	17.0	-20	40
ASL 150W XT	15.7	-30	45
ASL 250W XT	16.1	-30	45
ASL 400W XT	17.0	-30	45

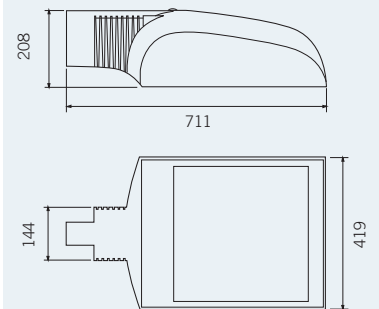
* The maximum ambient temperatures stated are for exterior use only. For interior use deduct 10°C from the temperature stated.



Aeris™ Medium - ASM



Aeris™ Large - ASL



column bracket

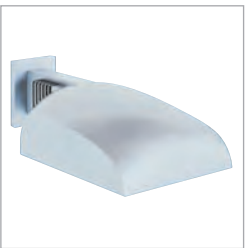
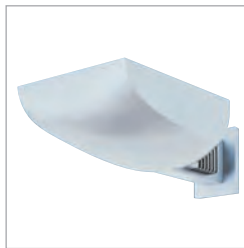


Single bracket



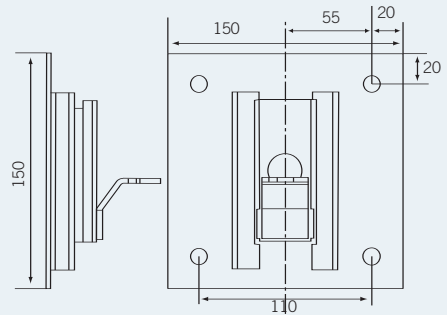
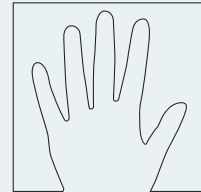
Twin bracket

wall mounting bracket



Note: Can only be used as uplighter in interior applications with max ta 30°C. Not suitable for swimming pool environments.

wall bracket



ordering details : luminaire



Code

ASM Aeris Medium

Code	Lamp Type
.57TRT	57W Quadruple Tube 4000K compact fluorescent lamp 4 pin (GX24q-4) base
.70TRT	70W Quadruple Tube 4000K compact fluorescent lamp 4 pin (GX24q-4) base
.45CW	45W CosmoPolis lamp (PGZ 12) base
.60CW	60W CosmoPolis lamp (PGZ12) base
.90CW	90W CosmoPolis lamp (PGZ12) base
.140CW	140W CosmoPolis lamp (PGZ12) base
.70XT	70W Clear high output high pressure sodium lamp (E27) base
.35CDMTF3	35W Clear CDM-T 3000K ceramic metal halide lamp (G12) base
.70CDMTF3	70W Clear CDM-T 3000K ceramic metal halide lamp (G12) base
.100CDMT3	100W Clear CDM-T 3000K ceramic metal halide lamp (E27) base
.150CDMTF3	150W Clear CDM-T 3000K ceramic metal halide lamp (G12) base

Code	Light Distribution
.AY	Asymmetric
.NR	Street
.FWC	Forward throw with backlight cut off

Code	Colour
.C1	White (RAL 9016)
.C4	Graphite (RAL 7011)
.C6	Grey (RAL 7035)
.C7	Black (RAL 9005)
.C9	Metallic Silver (RAL 9006)
.RAL****	RAL Colour (Customer Choice)*

Code	Options
.T	Photocell
.C	Enhanced paint finish

Example ASM .70XT .AY .C1 .T

*Please specify RAL colour reference. Note: luminaires are supplied as standard for use on 240V 50Hz supply and complete with lamp. For 230V 50Hz add prefix 'N'. Other voltages available on request, timed igniters as special available on request.

luminaire accessories

order separately for on-site installation by others

Code

ASM.BLS Back Light Shield. For Use On Asymmetric Distribution Only

wall mount bracket accessories

order separately for on-site installation by others

Code

ASLM.WB.C1 White (RAL 9016)
ASLM.WB.C4 Graphite (RAL 7011)
ASLM.WB.C6 Grey (RAL 7035)
ASLM.WB.C7 Black (RAL 9005)
ASLM.WB.C9 Silver (RAL 9006)
ASLM.WB.RAL**** RAL Colour (Customer Choice)

Only to be used in down light orientation in exterior environments



ordering details : columns & brackets

Code

ASMB	Aeris Medium tubular base compartment column
ASMC	Aeris Medium steel conical column
ASMAC	Aeris Medium aluminium conical column
ASMMH	Aeris Medium steel mid hinged column

Code Luminaire Mounting Height

.3	3 metres*
.4	4 metres
.5	5 metres
.6	6 metres
.8	8 metres

Code Column Category please refer to page 24.15 for definition of the EN40 guidelines

.LMZ	For light & medium area wind zones (EN40 rationalised wind zones)
.HVZ	For heavy area wind zones (EN40 rationalised wind zones)
.HEZ	For extra heavy wind zones (EN40 rationalised wind zones)

Code Brackets

.1A	Single Head
.2A	Twin Head

Code Colour

.C1	White (RAL 9016)
.C4	Graphite (RAL 7011)
.C6	Grey (RAL 7035)
.C7	Black (RAL 9005)
.C9	Metallic Silver (RAL 9006)
.RAL****	RAL Colour (customer choice)*

Code Optional Base Type please refer to page 24 1 for details, base is dependant on height and type of column

.FB1	Flange base
.FB2	Flange base

Code Column Finish

.P1	Black undercoat primed
.P2	Undercoat primed to match RAL colour specified

Code Optional Paint Finish (Bracket Only)

.C	Enhanced paint finish
----	-----------------------

Example	ASMB	.6	.HEZ	.1A	.C1	.FB2	.P2	.C
----------------	------	----	------	-----	-----	------	-----	----

*not available for ASMMH. **Please specify RAL colour reference.

column accessories

Code	Tubular Compartment Columns (ASMB)
HELB.FS1	J-Anchor bolts for flange base, 3m to 5m
HELB.FS2	J-Anchor bolts for flange base, 6m to 8m
HELCBEPAC	Cut Out Box and Earth Plate for Armoured Cable*

Code	Conical Steel Columns (ASMC)
HELC.FS1	J-Anchor bolts for flange base, 3m to 5m
HELC.FS2	J-Anchor bolts for flange base, 6m to 8m
HELCBEPAC	Cut Out Box and Earth Plate for Armoured Cable*

Code	Mid Hinged Columns (ASMMH)
HELMH.FS1	J-Anchor bolts for flange base, 4m to 5m
HELMH.FS2	J-Anchor bolts for flange base, 6m to 8m
.RLR4	Raise lower rope 4m-5m
.RLR6	Raise lower rope 6m
.RLR8	Raise lower rope 8m

Code	Conical Aluminium Columns (ASMAC)
HELAC.FS1	J-Anchor bolts for flange base, 3m to 5m
HELAC.FS2	J-Anchor bolts for flange base, 6m to 8m
HELCBEPAC	Cut Out Box and Earth Plate for Armoured Cable*

*please contact Holophane for details
Flange Plate and J-Bolt Data to be confirmed upon placement of order.



ordering details : luminaire

Code

ASL	Aeris Large				
	Code	Lamp Type			
	.150XT	150W Clear high output high pressure sodium lamp (E40) base			
	.250XT	250W Clear high output high pressure sodium lamp (E40) base			
	.400XT	400W Clear high output high pressure sodium lamp (E40) base			
	.150CDOTT	150W Metal halide lamp (E40) base			
	.250CDOTT	250W Metal halide lamp (E40) base			
	.140CW	140W Cosmopolis lamp (PG212) base			
	.150CDMT3	150W Clear CDM-T 3000K ceramic metal halide lamp (E40) base			
	.250CDMT3	250W Clear CDM-T 3000K ceramic metal halide lamp (E40) base			
	.400CDMT3	400W Clear CDM-T 3000K ceramic metal halide lamp (E40) base			
	Code	Light Distribution			
	.AY	Asymmetric			
	.NR	Street			
	.FW	Forward throw			
	.FWC	Forward throw with backlight cut off			
	Code	Colour			
	.C1	White (RAL 9016)			
	.C4	Graphite (RAL 7011)			
	.C6	Grey (RAL 7035)			
	.C7	Black (RAL 9005)			
	.C9	Metallic Silver (RAL 9006)			
	.RAL****	RAL Colour (Customer Choice)*			
	Code	Options			
	.T	Photocell			
	.C	Enhanced paint finish			
Example	ASL	.400XT	.AY	.C9	.T

*Please specify RAL colour reference. Note: luminaires are supplied as standard for use on 240V 50Hz supply and complete with lamp. For 230V 50Hz add prefix 'N'. Other voltages available on request, timed igniters as special available on request.

luminaire accessories

order separately for on-site installation by others

Code

ASL.BLS	Back Light Shield.
----------------	--------------------

For Use On Asymmetric or Forward Throw Distributions Only.

wall mount bracket accessories

order separately for on-site installation by others

Code

ASLM.WB.C1	White (RAL 9016)
ASLM.WB.C4	Graphite (RAL 7011)
ASLM.WB.C6	Grey (RAL 7035)
ASLM.WB.C7	Black (RAL 9005)
ASLM.WB.C9	Silver (RAL 9006)
ASLM.WB.RAL****	RAL Colour (Customer Choice)

Only to be used in down light orientation in exterior environments



ordering details : columns & brackets

Code								
ASLB	Aeris Large Tubular Base Compartment Column							
ASLC	Aeris Large Steel Conical Column							
ASLAC	Aeris Large Aluminium Conical Column							
ASLMH	Aeris Large Steel Mid Hinged Column							
Code	Luminaire Mounting Height							
.4	4 metres							
.5	5 metres							
.6	6 metres							
.8	8 metres							
.10	10 metres*							
.12	12 metres**							
Code	Wind Zones as EN40 please refer to page 24.15 for definition of the EN40 guidelines							
.LMZ	For light & medium area wind zones (EN40 Rationalised Wind Zones)							
.HVZ	For heavy area wind zones (EN40 rationalised wind zones)							
.HEZ	For extra heavy area wind zones (EN40 Rationalised Wind Zones)							
Code	Brackets							
.1A	Single Head							
.2A	Twin Head							
Code	Colour							
.C1	White (RAL 9016)							
.C4	Graphite (RAL 7011)							
.C6	Grey (RAL 7035)							
.C7	Black (RAL 9005)							
.C9	Metallic Silver (RAL 9006)							
.RAL****	RAL Colour (customer choice)***							
Code	Optional Base Type please refer to page 24 1 for details, base is dependant on height and type of column							
.FB1	Flange base							
.FB2	Flange base							
.FB3	Flange base							
Code	Optional Column Finish							
.P1	Black undercoat primed							
.P2	Undercoat primed to match RAL colour specified							
Code	Optional Paint Finish (Bracket Only)							
.C	Enhanced Paint Finish							
Example	ASLB	.4	.LMZ	.1A	.C1	.FB1	.P1	.C

*not available for ASLMH **not available for ASLMH,ASLAC and ASLC ***Please specify RAL colour reference

column accessories

Code	Tubular Compartment Columns (ASLB)
HELB.FS1	J-Anchor bolts for flange base, 4m to 5m
HELB.FS2	J-Anchor bolts for flange base, 6m to 8m
HELB.FS3	J-Anchor bolts for flange base, 10m to 12m
HEL.CBEPAC	Cut Out Box and Earth Plate for Armoured Cable*

Code	Conical Steel Columns (ASLC)
HELC.FS1	J-Anchor bolts for flange base, 4m to 5m
HELC.FS2	J-Anchor bolts for flange base, 6m to 8m
HELC.FS3	J-Anchor bolts for flange base, 10m
HEL.CBEPAC	Cut Out Box and Earth Plate for Armoured Cable*

Code	Mid Hinged Columns (ASLMH)
HELMH.FS1	J-Anchor bolts for flange base, 4m to 5m
HELMH.FS2	J-Anchor bolts for flange base, 6m to 8m
.RLR4	Raise lower rope 4m-5m
.RLR6	Raise lower rope 6m
.RLR8	Raise lower rope 8m
HEL.CBEPAC	Cut Out Box and Earth Plate for Armoured Cable*

Code	Conical Aluminium Columns (ASLAC)
HELAC.FS1	J-Anchor bolts for flange base, 4m to 5m
HELAC.FS2	J-Anchor bolts for flange base, 6m to 10m
HEL.CBEPAC	Cut Out Box and Earth Plate for Armoured Cable*

*please contact Holophane for details
Flange Plate and J-Bolt Data to be confirmed upon placement of order.