

# denver™ family

The Denver™ family of luminaires combine a palette of designed variables, which include aesthetic appeal, quality, durability and performance.

Designed primarily for use as a luminaire family, the Denver™ range of bollard, wall and pole mounted luminaires can equally be used individually. The Denver family provides a real choice for any co-ordinated lighting plan to complement even the most diverse and architectural themes.




The design concept was influenced by extensive market research, modern contemporary design themes, and an increased emphasis on consistent styling to surrounding architecture, the development program for the new Denver family specifically covered all aspects of modern lighting design criteria. From initial design concepts to individual component analysis, a unique luminaire family has evolved. A combination of engineering capabilities coupled with direct input from market research analysis, the Denver style and suitability is unsurpassed for multi-task amenity lighting.

## denver™ pole

This attractive high performance low wattage pole mounted luminaire is ideal for striking landscape illumination. Its contemporary styling and aesthetic appeal make it suitable for a wide range of installations. With a wide variety of lamp types and a considerable range of bracketry available, Denver™ Pole combines modern lighting with modern day architecture. Ideal for car parks, squares and entrance roads.

## denver™ sweep

 This contemporary styled high performance, low wattage pole mounted luminaire has been designed to complement the rest of the Denver™ range whilst being striking enough to use in its own right. The flowing lines of the cowl which blends the rear of the fitting perfectly on to the specifically designed curved pole ensure a smooth flowing appearance from fitting to pole. The wide range of lamp types and distributions available for the Denver™ Sweep enable it to offer form and function and is an ideal choice for modern environments.



### denver™ bollard

The Denver™ Bollard range has been designed for architectural quality combined with visual elegance. The unique slender housing and modern design elements guarantee an attractive lighting solution for any conceivable application, by night or by day. Highly effective for stylish pathway illumination.



### denver™ max

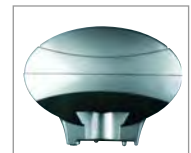
This stylish 4m high illuminated pole adds an attractive feature to the surrounding architecture and is an ideal way of making an architectural statement around entrances, walkways and thoroughfares.



### denver™ wall

An inspiring new concept in low wattage wall mounted amenity lighting, Denver™ Wall has been designed to complement the latest in building architecture. The perfect luminaire for perimeter lighting combined with modern aesthetics.

consistent styling across the range



# denver™ pole

## applications

- Landscaped areas
- Car parks
- Amenity areas
- Retail parks
- Entrance roads
- Pedestrian areas

The Denver™ Pole Mount luminaire with its attractive contemporary styling and exceptional performance characteristics is unsurpassed in meeting modern lighting design criteria for striking landscape illumination at night, coupled with aesthetic appeal by day. The latest control gear and lamp technology, coupled with a precisely engineered anodised reflector, achieve maximum performance and high efficiency. Compliance with Night Time Friendly requirements is easily achieved due to precise light control.



**features and benefits**

Contemporary styling

- > Unique aesthetic appeal to complement today's architecture

High quality construction

- > Durability
- > Fully Weather Sealed

Controlled upward light

- > 'Night Time Friendly'

Two light distributions

- > Maximum efficiency and uniformity for any application

Extensive choice of bracket permutations

- > Unique appearance for every application
- > Flexibility of design

Tool-free access to lamp & gear tray

- > Easy maintenance

**lamp types included**

35W - 150W metal halide (various)

70W - 150W high pressure sodium

32W - 42W compact fluorescent (twin lamp)

**IP rating**

IP657 

**approvals**

Complies with EN60598

**CE**

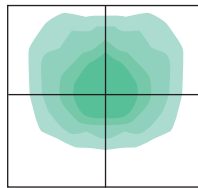


**specification**

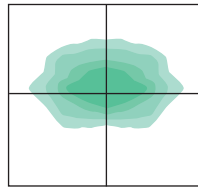
The luminaire shall consist of a polycarbonate lens housed in an ABS alloy door arrangement with a high pressure die-cast aluminium body, housing integral control gear to suit a wide range of high intensity discharge or compact fluorescent lamps. An acrylic lens shall be available as an option. The optical arrangement shall consist of an anodised aluminium reflector and injection moulded polycarbonate or acrylic lens. The door shall be secured to the body by two concealed latches providing tool free access for maintenance. The two sections shall be sealed by a closed cell silicone gasket ensuring IP65 is maintained. The luminaire complies with EN60598 and has a range of complementary brackets and column permutations available.

**light distributions**

Asymmetric (.AY)



Street (.NR)



Photometric data is available at [www.holophane.co.uk](http://www.holophane.co.uk)

**windage**

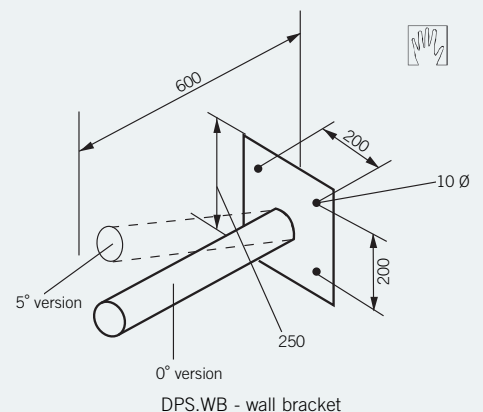
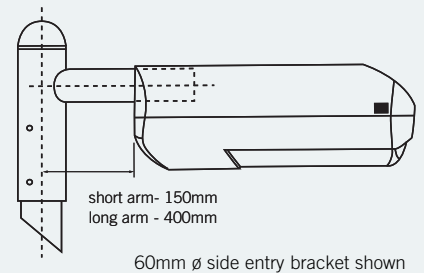
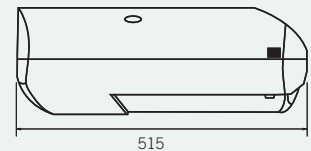
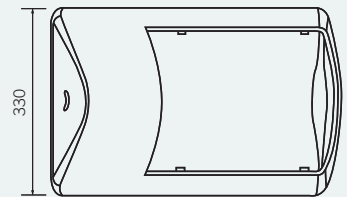
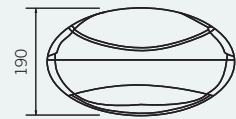
**Code**

Denver™ Pole	0.1m <sup>2</sup>
--------------	-------------------

**weights & thermal data**

Lamp Type	Weight (kg)	Min. Operating Temperature (°C)	Max. Ambient Temperature (°C)*
70W High Pressure Sodium	7.1	-30	60
100W High Pressure Sodium	7.8	-30	50
150W High Pressure Sodium	8.5	-30	50
35W CDMT3 Metal Halide	7.1	-20	55
70W CDMT3 Metal Halide	7.1	-20	75
100W CDMT3 Metal Halide	7.8	-20	60
150W CDMT3 Metal Halide	8.5	-20	50
32W (Twin) Compact Fluorescent	5.6	-10	50
42W (Twin) Compact Fluorescent	5.6	-10	50

\* The maximum ambient temperatures stated are for exterior use only. For interior use deduct 10°C from the temperature stated. Note: For photocell options please deduct 15°C for 100 & 150W types.



**optical versatility**

Two choices of optical arrangements are available for the Denver™ Pole Mount luminaire, asymmetric & street.



Street



Asymmetric



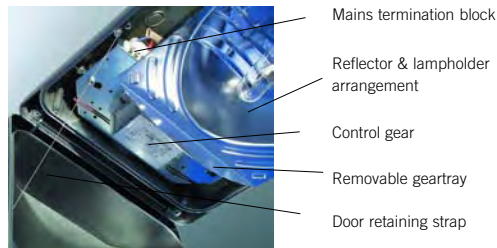
Controlled directional light, minimising:

- > Light pollution
- > Light spill
- > Discomfort glare

Precision engineered anodised semi-specular aluminium reflectors ensure either maximum lateral and forward distribution (street distribution), ideal for entrance roads, or an asymmetric distribution for car parks, pedestrian areas and retail parks. Both light distributions provide excellent uniformity.

**easy maintenance**

Internal component layout allows easy access to all critical components. The control gear is secured to a removable geartray which can be easily lifted out for maintenance purposes.



Tool-free latches allow quick and easy access for maintenance.







ordering details : luminaire

Code

DPS	Denver Pole				
	<b>Code</b>	<b>Lamp Type</b>			
	.70XT	70W Clear High Output HPS Lamp (E27) Base			
	.100XT	100W Clear High Output HPS Lamp (E40) Base			
	.150XT	150W Clear High Output HPS Lamp (E40) Base			
	.35CDMTF3	35W Clear CDMT 3000K Metal Halide Lamp (G12) Base*			
	.70CDMT3	70W Clear CDMT 3000K Metal Halide Lamp (E27) Base*			
	.100CDMT3	100W Clear CDMT 3000K Metal Halide Lamp (E27) Base*			
	.150CDMT3	150W Clear CDMT 3000K Metal Halide Lamp (E40) Base*			
	.232PL4	32W Twin 4000K Electronic Compact Fluorescent 4-Pin Lamp**			
	.242PL4	42W Twin 4000K Electronic Compact Fluorescent 4-Pin Lamp**			
	<b>Code</b>	<b>Light Distribution</b>			
	.AY	Asymmetric			
	.NR	Street			
	<b>Code</b>	<b>Colour</b>			
	.C1	White (RAL 9016)			
	.C4	Graphite (RAL 7011)			
	.C6	Grey (RAL 7035)			
	.C7	Black (RAL 9005)			
	.C9	Metallic Silver (RAL 9006)			
	.RAL****	RAL colour (customer choice)***			
	<b>Code</b>	<b>Options</b>			
	.A	Acrylic Lens****			
	.C	Enhanced Paint Finish			
	.T	Photocell			
<b>Example</b>	DPS	.150XT	.AY	.C9	.C

\* All ceramic lamp circuits contain timed ignitors. \*\*.NR distribution only. \*\*\*Please specify RAL colour reference. \*\*\*\*For 100W maximum.  
 Note: Luminaires are supplied as standard for use on 240V 50Hz supply and complete with lamp. For 230V 50Hz add prefix 'N'. Other voltages available on request.

luminaire accessories

order separately for on-site installation by others

Code	
DPS.BLS	Back-light Shield (for asymmetric only)
DPS.42	42mm Adaptor (reduces 60mm entry to 42mm)

0 Degree	Wall Bracket
DPS.WB.C1	White
DPS.WB.C4	Graphite
DPS.WB.C6	Grey
DPS.WB.C7	Black
DPS.WB.C9	Metallic Silver
DPS.WB.RAL****	RAL Colour (customer choice)

5° all brackets are available. Configuration e.g DPS.5WB.C7

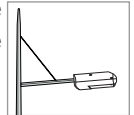


DPS.BLS

ordering details : columns & brackets



for decorative columns see page 24.1



<b>Code</b>	Denver Tubular Base Compartment Column								
DPSC	Denver Steel Conical Column								
DSPAC	Denver Aluminium Conical Column								
DSPMH	Denver Steel Mid Hinged Column								
<b>Code</b>	<b>Luminaire Mounting Height</b>								
.3	3 metres*								
.4	4 metres								
.5	5 metres								
.6	6 metres								
.8	8 metres								
<b>Code</b>	<b>Column Category</b> please refer to page 24.15 for definition of the EN40 guidelines								
.LMZ	For light & medium area wind zones (EN40 rationalised wind zones)								
.HVZ	For heavy area wind zones (EN40 rationalised wind zones)								
.HEZ	For extra heavy wind zones (EN40 rationalised wind zones)								
<b>Code</b>	<b>Brackets</b>								
.1L	Single head long bracket								
.1S	Single head short bracket								
.2L	Twin head long bracket								
.2S	Twin head short bracket								
<b>Code</b>	<b>Bracket Style</b>								
.A0	Angle at 0°								
.A5	Angle at 5°								
<b>Code</b>	<b>Colour</b>								
.C1	White (RAL 9016)								
.C4	Graphite (RAL 7011)								
.C6	Grey (RAL 7035)								
.C7	Black (RAL 9005)								
.C9	Silver (RAL 9006)								
.RAL****	RAL Colour (customer choice)**								
<b>Code</b>	<b>Optional Base Type</b> please refer to page 24.1 for details, base is dependant on height and type of column								
.FB1	Flange Base								
.FB2	Flange Base								
<b>Code</b>	<b>Optional Column Finish</b>								
.P1	Black undercoat primed								
.P2	Undercoat primed to match RAL colour specified								
<b>Code</b>	<b>Optional paint Finish (Bracket Only)</b>								
.C	Enhanced paint finish								
<b>Example</b>	DPSB	.3	.LMZ	.1S	.A0	.C1	.FB1	.P1	.C

\*not available with DSPMH. \*\*Please specify RAL colour reference.

column accessories

<b>Code</b>	<b>Tubular Compartment Columns (DPSB)</b>
HELB.FS1	J-Anchor bolts for flange base, 3m to 5m
HELB.FS2	J-Anchor bolts for flange base, 6m to 8m
HEL.CBEPAC	Cut Out Box and Earth Plate for Armoured Cable*

<b>Code</b>	<b>Conical Steel Columns (DPSC)</b>
HELC.FS1	J-Anchor bolts for flange base, 3m to 5m
HELC.FS2	J-Anchor bolts for flange base, 6m to 8m
HEL.CBEPAC	Cut Out Box and Earth Plate for Armoured Cable*

<b>Code</b>	<b>Mid Hinged Columns (DSPMH)</b>
HELMH.FS1	J-Anchor bolts for flange base, 4m to 5m
HELMH.FS2	J-Anchor bolts for flange base, 6m to 8m
RLR4	Raise lower rope 4m-5m
RLR6	Raise lower rope 6m
RLR8	Raise lower rope 8m

<b>Code</b>	<b>Conical Aluminium Columns (DSPAC)</b>
HELAC.FS1	J-Anchor bolts for Flange Base, 3m to 5m
HELAC.FS2	J-Anchor bolts for Flange Base, 6m to 8m
HEL.CBEPAC	Cut Out Box and Earth Plate for Armoured Cable*

\*please contact Holophane for details

1.10

denver™ pole



# denver™ sweep

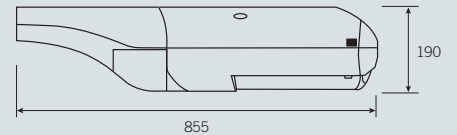
**applications**

- Landscaped areas
- Car parks
- Amenity areas
- Retail parks
- Entrance roads
- Pedestrian areas

Denver™ Sweep compliments the existing Denver range by modifying design and blending into the pole and bracket with a simple swept profile. Denver™ Sweep combines all the performance of original Denver™ luminaries but with a distinctive look.



**unique solutions**  
**contact**  
 Holophane  
 for details



tool free access



# denver™ bollard

## applications

- Landscaped areas
- Pedestrian walkways
- Driveways
- Entrances
- Gardens
- Parks
- Precincts

Combining style and performance, the Denver™ bollard creates distinctive illumination for a variety of landscapes and walkway surrounds. The unique contours of the body are styled in high quality aluminium with single or double-sided optics offering a choice of prismatic refractor or louvre to provide maximum efficiency and flexibility for a wide range of applications. With a selection of lamp types, heights and an array of colour options, the Denver™ bollard provides aesthetic flexibility by day whilst creating efficient illumination at night.



**features and benefits**

- Contemporary styling
  - > Unique aesthetic appeal to complement today's architecture
- High quality construction
  - > Durability
  - > Fully weather sealed
- Single or double-sided optics
  - > Suitable for a wide range of applications
- Refractor or louvre optics
  - > Versatility
- Symmetric or asymmetric distribution
  - > Maximum efficiency and uniformity for any application
- Wide spacing ability
  - > Cost savings due to reduced number of luminaires
- Three heights
  - > Flexibility
  - > Different visual effects
- Vandal resistant option
  - > Improved security

**lamp types included**

- 35W - 70W metal halide (various)
- 50W - 70W high pressure sodium
- 18W - 42W compact fluorescent (various)

**IP rating**

IP65 

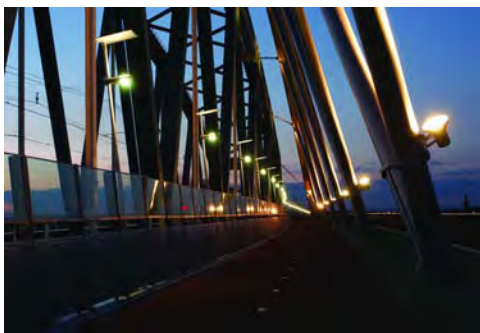
**approvals**

Complies with EN60598

**CE**



^ special emergency option - sage software - newcastle.



1000mm bollard with prismatic lens (.PAY)

^ DBL special dutch railways.  
 < national assembly for wales – merthyr.

**specification**

The luminaire shall consist of an extruded aluminium body, housing integral control gear for a variety of high intensity discharge or compact fluorescent lamps. The optical arrangement shall consist of an aluminium reflector and prismatic refractive lens, with optional louvre. A gasket sealed top plate shall be secured by two stainless steel nuts. Root mount option available. The luminaire complies with EN60598 with a choice of options and accessories.

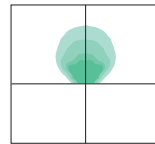
**light distributions**

Single sided

refractor lens (.PAY)

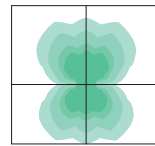


louvre (.LYA)

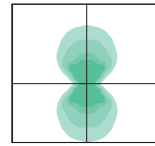


Double-sided

refractor lens (.DP)



louvre (.DL)

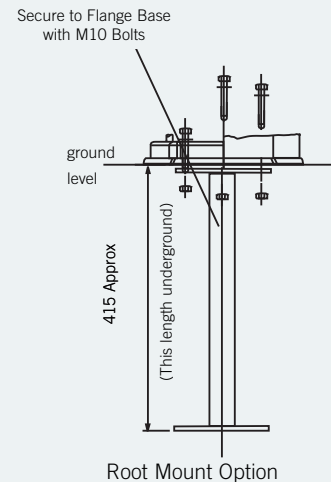
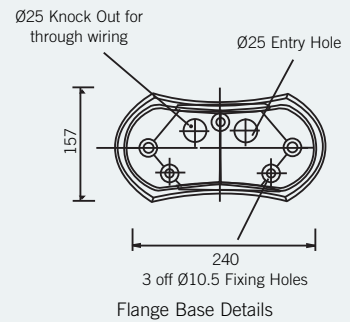
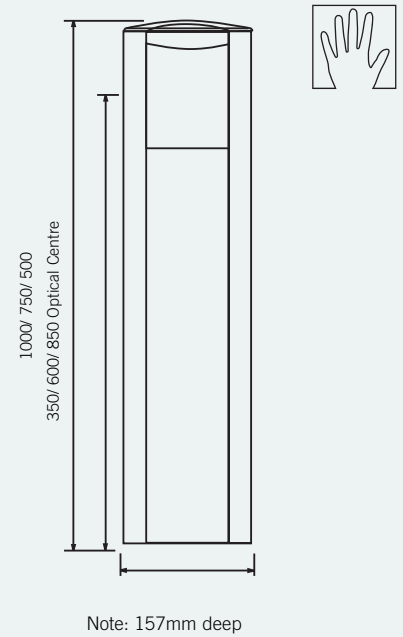


Photometric data is available at [www.holophane.co.uk](http://www.holophane.co.uk)

**weights & thermal data**

Lamp Type	Weight* (kg)	Min Operating Temperature (°C)	Max Ambient Temperature** (°C)
50W High Pressure Sodium	9.2	-30	40
70W High Pressure Sodium	9.3	-30	35
35W Metal Halide	9.0	-20	45
70W Metal Halide	9.3	-20	35
18W-26W Compact Fluorescent	9.4	-5	45
32W-42W Compact Fluorescent	9.4	-10	45

\* Weights shown are for 1.0m version. For 0.75 deduct 1.5kg and for 0.5m deduct 3.0kg \*\* The maximum ambient temperatures stated are for exterior use only. For interior use deduct 10°C from the temperature stated.



**optical versatility**



**Refractor** A precision designed pre-anodised semi-specular aluminium reflector and prismatic refractor ensures maximum lateral and forward distribution combined with excellent uniformity.



**Louvre** For applications that require a fuller cut-off distribution a louvre optic is also available. Fixed pre-anodised internal aluminium louvres are positioned to control the distribution of light ensuring wide and uniform output coupled with precise vertical cut off.



Double sided for symmetrical illumination.



Single sided for asymmetrical distribution.

Both optics are available as a single-sided or double-sided arrangement.

## ordering details : luminaire



## Code

DBL	Denver™ Bollard						
	<b>Code</b>	<b>Lamp Type</b>					
	.50XT	50W Clear high output HPS lamp (E27) base					
	.70XT	70W Clear high output HPS lamp (E27) base					
	.35CDMTF3	35W Clear CDMT 3000K protected metal halide lamp (G12) base*					
	.70CDMT3	70W Clear CDMT 3000K protected metal halide lamp (E27) base*					
	.70MA	70W Clear 4000K protected metal halide lamp (E27) base					
	.18PL4	18W 4000K compact fluorescent 4-Pin lamp (G24q-2) base					
	.26PL4	26W 4000K compact fluorescent 4-Pin lamp (G24q-3) base					
	.32PL4	32W Triple Tube 4000K compact fluorescent 4-Pin lamp (GX24q-3) base					
	.42PL4	42W Triple Tube 4000K compact fluorescent 4-Pin lamp (GX24q-4) base					
	<b>Code</b>	<b>Light Distribution</b>					
	.LYA	Louvre					
	.PAY	Prismatic lens					
	.RAY	Prismatic lens and reflector					
	<b>Code</b>	<b>Enclosure Type</b>					
	.SO	Single sided (Asymmetric)					
	.DL	Double sided louvre (Symmetric)					
	.DP	Double sided prismatic lens (Symmetric)					
	<b>Code</b>	<b>Height</b>					
	.H50	500mm					
	.H75	750mm					
	.H100	1000mm					
	<b>Code</b>	<b>Colour</b>					
	.C1	White (RAL 9016)					
	.C4	Graphite (RAL 7011)					
	.C6	Grey (RAL 7035)					
	.C7	Black (RAL 9005)					
	.C9	Metallic Silver (RAL 9006)					
	.RAL****	RAL colour (customer choice)**					
	<b>Code</b>	<b>Options</b>					
	.A	Acrylic					
	.C	Enhanced paint finish					
	.CB	Cut out box (Factory Fitted)					
	.CB1	Gear tray extension for Customers own cut out box***					
	.PP	Power point socket****					
	.V1	Vandal resistant screws†					
<b>Example</b>	DBL	.18PL4	.LYA	.SO	.H75	.C9	.V1

\* All ceramic lamp circuits contain timed ignitors. \*\*Please specify RAL colour reference. \*\*\*Only available for 0.75m & 1m height. \*\*\*\*Plug available as accessory. †Specify HEL.VK to be supplied separately. Vehicle Prohibitor Bollards available via unique solutions. Note: Luminaires are supplied as standard for use on 240V 50Hz supply and complete with lamp. For 230V 50Hz add prefix 'N' Other voltages available on request.



denver™ bollard

## ordering details : emergency luminaire

Code		Denver™ Bollard Emergency Version						
DBE								
<b>Code</b>	<b>Lamp Type</b>							
.18PL4	18W 4000K compact fluorescent 4-Pin lamp (G24q-2) base							
.26PL4	18W 4000K compact fluorescent 4-Pin lamp (G24q-3) base							
.32PL4	32W Triple tube 4000K compact fluorescent 4-Pin lamp (GX24q-3) base							
.42PL4	42W Triple tube 4000K compact fluorescent 4-Pin lamp (GX24q-4) base							
<b>Code</b>	<b>Light Distribution</b>							
.PAY	Prismatic lens							
.RAY	Prismatic lens and reflector							
<b>Code</b>	<b>Enclosure Type</b>							
.SO	Single sided (Asymmetric)							
.DP	Double sided (Symmetric)							
<b>Code</b>	<b>Height</b>							
.H75	750mm							
.H100	1000mm							
<b>Code</b>	<b>Colour</b>							
.C1	White (RAL 9016)							
.C4	Graphite (RAL 7011)							
.C6	Grey (RAL 7035)							
.C7	Black (RAL 9005)							
.C9	Metallic Silver (RAL 9006)							
.RAL****	RAL colour (customer choice)*							
<b>Code</b>	<b>Emergency</b>							
.ME1	Maintained emergency (3 Hour)							
<b>Code</b>	<b>Options</b>							
.A	Acrylic							
.C	Enhanced paint finish							
.CB	Cut out box (factory fitted)							
.PP	Power point socket**							
.V1	Vandal resistant screws***							
<b>Example</b>	DBE	.18PL4	.PAY	.SO	.H100	.C9	.ME1	.V1

\* Please specify RAL colour reference. \*\*Plug available as accessory. \*\*\*Specify HEL.VK to be supplied separately.

### luminaire accessories for standard & emergency versions order separately for on-site installation by others

Code	
<b>DBL.PLUG</b>	Plug for powerpoint socket
<b>DBL.ROOT</b>	Root Mounting Spike (including bolts)
<b>DBL.FT</b>	Bolts M10 x 100 for Flange Base Fixing (set of 3)
<b>HEL.CBEPAC</b>	Cut Out Box with Earth Plate for Armoured Cable (fuse by others)* (please contact Holophane for details)
<b>HEL.VK</b>	Key for Vandal Resistant Screw



.V1 Vandal resistant screws

\* Only usable with single sided 0.75m and 1m versions.

# denver™ max

## applications

Landscaped areas  
Pedestrian zones  
Entrances  
Gardens  
Parks  
Precincts

Combining style and performance, Denver™ Max is a welcome extension to the already successful Denver™ family concept. The unique contours of the body are styled in high quality aluminium and single or double-sided optics with a choice of opal or clear lenses flexibility for a wide range of applications. With a selection of lamp types and an array of colour options, Denver™ Max provides aesthetic flexibility by day whilst creating impressive illumination at night. Denver™ Max becomes an integral part of the built environment and complements the visual appearance of its surroundings.



**features and benefits**

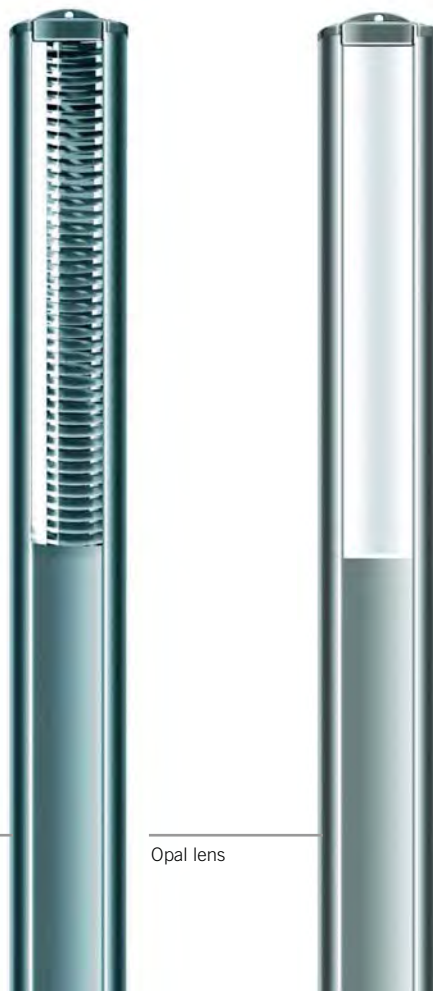
- Contemporary styling
  - > Unique aesthetic appeal to complement today's architecture
- High quality construction
  - > Durability
  - > Fully weather seals
- Single or double-sided optics
  - > Suitable for a wide range of applications
- Opal or clear optics
  - > Versatility
- Symmetric or asymmetric distribution
  - > Maximum efficiency for any application
- Lamp and gear access from above
  - > Flexibility for different types of application

**lamp types included**

- Twin 70W metal halide
- Twin 70W high pressure sodium
- Twin 55W compact fluorescent

**IP rating**IP65 **approvals**

Complies with EN60598

**CE**Clear lens with  
louvre

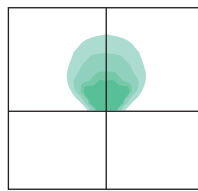
Opal lens

**specification**

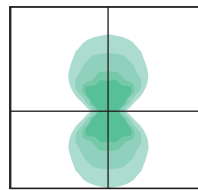
The luminaire shall consist of an oval extruded aluminium body, housing integral control gear for a variety of high intensity discharge or compact fluorescent lamps. The optical arrangement shall consist of an opal or clear lens with louvre. A gasket sealed top plate shall be secured by two stainless steel nuts to the body with an IP65 rating. The luminaire shall be flange-mounted. The top plate and base shall be cast aluminium. The luminaire complies with EN60598 with a choice of options and accessories. Head room should be allowed for lamp change as Denver Max has a 4m extrusion.

**light distributions**

Single-sided optic (.SC)



Double-sided optic (.TOP)

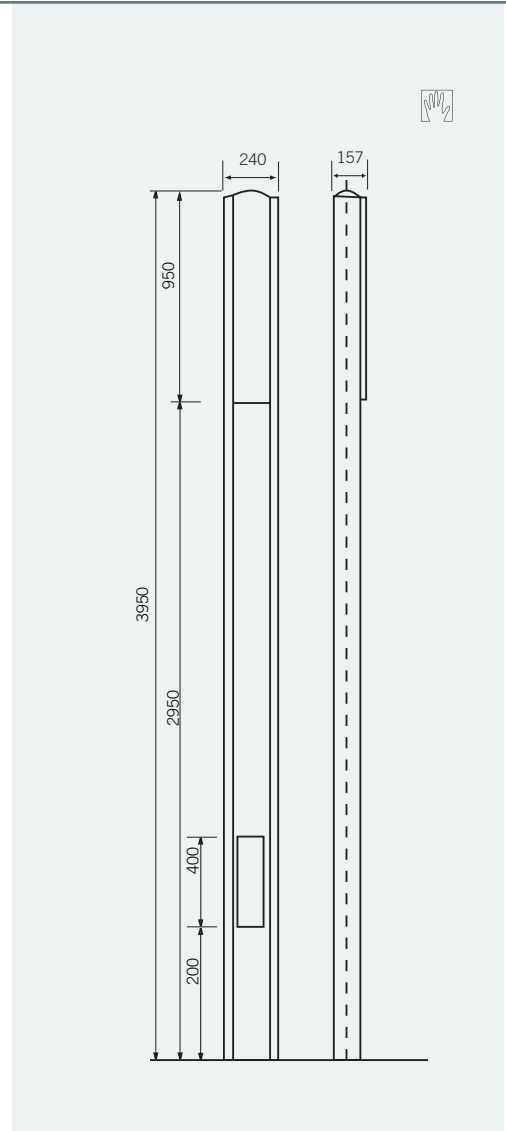


Photometric data is available at [www.holophane.co.uk](http://www.holophane.co.uk)

**weights & thermal data**

Lamp Type	Weight (kg)	Min Operating Temperature (°C)	Max Ambient* Temperature (°C)
Twin 70W high pressure sodium	31	-30	55
Twin 70W metal halide	31	-20	55
Twin 55W compact fluorescent	32	-10	50
Twin 54W T5 fluorescent	32	-15	50

\* The maximum ambient temperatures stated are for exterior use only. For interior use deduct 10°C from the temperatures stated.





## ordering details : luminaire

### Code

DBM	Denver™ Max		
	<b>Code</b>	<b>Lamp Type</b>	
	.270XD	Twin 70W Coated high output high pressure sodium lamp (E27) base	
	.270CDMT3	Twin 70W Coated CDM-T 3000K metal halide lamp (E27) base	
	.255PLL4	Twin 55W 4000K compact fluorescent 4 Pin lamp (2G11) base	
		<b>Code</b>	<b>Enclosure</b>
		.SC	Single-Sided clear head
		.TC	Double-Sided clear head
		.SOP	Single-Sided opal head
		.TOP	Double-Sided opal head
		<b>Code</b>	<b>Colour</b>
		.C1	White (RAL 9016)
		.C4	Graphite (RAL 7011)
		.C6	Grey (RAL 7035)
		.C7	Black (RAL 9005)
		.C9	Metallic Silver (RAL 9006)
		.RAL****	RAL colour (customer choice)*
<b>Example</b>	DBM	.270CDMT3	.SC .C9

\* Please specify RAL colour reference Note: Luminaires are supplied as standard for use on 240V 50Hz supply and complete with lamp. For 230V 50Hz add prefix 'N' Other voltages available on request.

### luminaire accessories

order separately for on-site installation by others

#### Code

<b>DBM.BCP.C1</b>	Base cover plate in White
<b>DBM.BCP.C4</b>	Base cover plate in Graphite
<b>DBM.BCP.C6</b>	Base cover plate in Grey
<b>DBM.BCP.C7</b>	Base cover plate in Black
<b>DBM.BCP.C9</b>	Base cover plate in Silver
<b>DBM.BCP.RAL****</b>	Base cover plate in RAL**** (Customer To Nominate)
<b>DBM.FT</b>	Set of 4 Bolts for flange base mounting

# denver™ wall

## applications

- Corporate office
- Frontages
- Building perimeters
- Amenity areas
- Walkways
- Passage ways
- Precincts

With its contemporary styling, the Denver™ Wall mount luminaire blends with surrounding architecture by day, maintaining efficient illumination at night. Designed for low to medium mounting heights (3m to 5m), the compact Denver™ Wall Mount luminaire offers exceptional performance characteristics for a highly effective solution for wall mounted applications. The latest in control gear and lamp technology, coupled with a precisely engineered refractive lens and pre-anodised reflector assembly, achieve maximum performance combined with high efficiency.



**features and benefits**

Contemporary styling

- > Unique aesthetic appeal to complement today's architecture

High quality construction

- > Durability
- > Fully weather sealed

Optional photocell

- > Flexibility

Single bottom entry option  
& through-wire option

- > Offers installation flexibility

Emergency options

- > Improved security

Self-retaining strap

- > Ease of maintenance

**lamp types included**

35W - 100W metal halide (various)

50W - 70W high pressure sodium

18W - 42W compact fluorescent (various)

**IP rating**

IP65 

**approvals**

Complies with EN60598

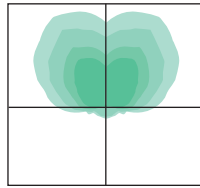
**CE**



### specification

The luminaire shall consist of a high pressure die-cast aluminium body, housing integral control gear to suit a wide choice of high intensity discharge or compact fluorescent lamps. The optical arrangement shall consist of an aluminium reflector and prismatic injection-moulded polycarbonate refractive lens. An acrylic lens shall be available as an option. A closed cell resilient gasket with four stainless steel screws maintains uniform gasket compression ensuring an IP65 rating at all times. The luminaire shall be suitable for wall mounting and complies with EN60598 with a choice of options and accessories.

### light distributions

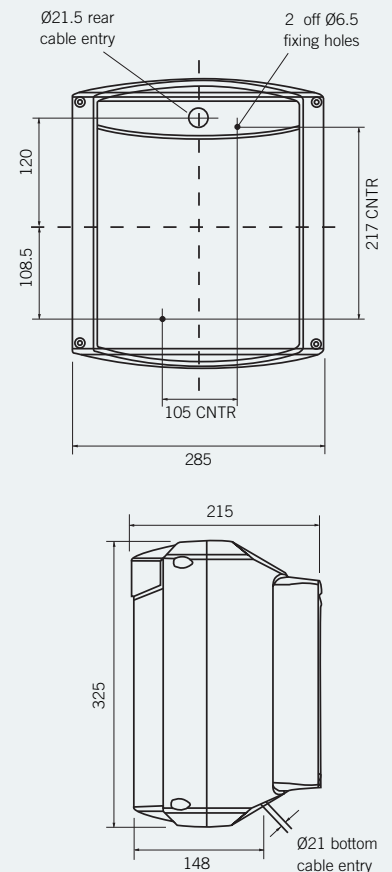


Photometric data is available at [www.holophane.co.uk](http://www.holophane.co.uk)

### weights & thermal data

Lamp Type	Weight (kg)	Min. Operating Temperature (°C)	Max. Ambient Temperature* (°C)
50W High Pressure Sodium	4.7	-30	50
70W High Pressure Sodium	4.7	-30	45
35W Metal Halide	4.7	-20	55
70W Metal Halide	4.7	-20	45
100W Metal Halide	4.7	-20	40
18W Compact Fluorescent	4.2	-5	60
26W Compact Fluorescent	4.2	-5	55
32W Compact Fluorescent	4.2	-10	45
42W Compact Fluorescent	4.2	-10	40

\* The maximum ambient temperatures stated are for exterior use only. For interior use deduct 10°C from the temperature stated.



**optical arrangement**

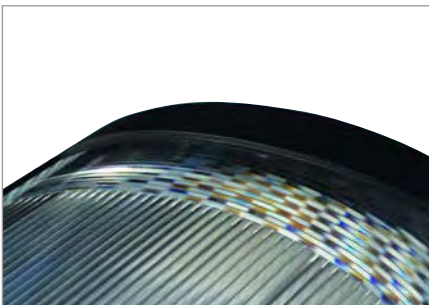


A combination of reflector and refractive lens arrangement provides precise optical control

**easy maintenance**



A retaining strap holds the luminaire front in place, allowing for easy maintenance.



The horizontal and vertical prism arrangement allows for improved visual comfort with excellent spacing capabilities

**denver wall mounting heights**

Lamp Type	Min. Recommended Mounting Height	Recommended Mounting Height
18PL	2.5m	2.5m-3m
26PL	2.5m	2.5m-3m
32PL	2.5m	2.5m-3m
42PL	2.5m	2.5m-3m
35CDMTF3	3m	3m-4m
50XT	3m	3m-4m
70CDMT3	4m	4m-5m
70XT	4m	4m-5m

## ordering details : luminaire



## Code

DWS	Denver Wall			
	<b>Code</b>	<b>Lamp Type</b>		
	.50XT	50W Clear high output HPS lamp (E27) base		
	.70XT	70W Clear high output HPS lamp (E27) base		
	.35CDMTF3	35W Clear CDMT 3000K metal halide lamp (G12) base*		
	.70CDMT3	70W Clear CDMT 3000K metal halide lamp (E27) base*		
	.100CDMT3	Clear CDM-T 3000K metal halide lamp (E27) base		
	.18PL2	18W 4000K Compact fluorescent 2-Pin lamp (G24d-2) base		
	.18PL4	18W 4000K Compact fluorescent 4-Pin lamp (G24q-2) base		
	.26PL2	26W 4000K Compact fluorescent 2-Pin lamp (G24d-3) base		
	.26PL4	26W 4000K Compact fluorescent 4-Pin lamp (G24q-3) base		
	.32PL4	32W Triple tube 4000K compact fluorescent 4-Pin lamp (GX24q-3) base		
	.42PL4	42W Triple tube 4000K compact fluorescent 4-Pin lamp (GX24q-4) base		
		<b>Code</b>	<b>Colour</b>	
		.C1	White (RAL 9016)	
		.C4	Graphite (RAL 7011)	
		.C6	Grey (RAL 7035)	
		.C7	Black (RAL 9005)	
		.C9	Metallic Silver (RAL 9006)	
		.RAL****	RAL colour (customer choice)**	
			<b>Code</b> <b>Options</b>	
		.A	Acrylic	
		.C	Enhanced paint finish	
		.T	Photocell (Factory Fitted)	
		.S5	Single bottom entry***	
		.S6	Twin bottom entry****	
<b>Example</b>	DWS	.18PL2	.C9	.S6

\* All ceramic lamp circuits contain timed ignitors. \*\* Please specify RAL colour reference. \*\*\* S5 accepts 2.5mm<sup>2</sup> cable and single 21.5mm Ø bottom entry. \*\*\*\* S6 accepts 2.5mm<sup>2</sup> cable and twin 21.5mm Ø bottom entry, allowing through wiring. Note: Luminaires are supplied as standard for use on 240V 50Hz supply and complete with lamp. For 230V 50Hz add prefix 'N' Other voltages available on request.

## luminaire accessories

order separately for on-site installation by others

## Code

**DWS.TC70** Photocell (Retro-fit).



ordering details : emergency luminaire

**Code**

DWE	Denver Wall Emergency Version				
	<b>Code</b>	<b>Lamp Type</b>			
	.18PL4	18W 4000K Compact fluorescent 4-Pin lamp (G24q-2) base			
	.26PL4	26W 4000K Compact fluorescent 4-Pin lamp (G24q-3) base			
	.32PL4	32W Triple Tube 4000K compact fluorescent 2-Pin lamp (GX24q-3) base			
	.42PL4	42W Triple Tube 4000K compact fluorescent 2-Pin lamp (GX24q-4) base			
		<b>Code</b>	<b>Colour</b>		
		.C1	White (RAL 9016)		
		.C4	Graphite (RAL 7011)		
		.C6	Grey (RAL 7035)		
		.C7	Black (RAL 9005)		
		.C9	Metallic Silver (RAL 9006)		
		.RAL****	RAL colour (customer choice)*		
			<b>Code</b>	<b>Emergency</b>	
			.ME	Maintained emergency (3 hour)	
				<b>Code</b>	
			.A	Acrylic	
			.C	Enhanced paint finish	
			.T	Photocell (Factory Fitted)	
			.S5	Single bottom entry***	
			.S6	Twin bottom entry****	
<b>Example</b>	DWE	.18PL4	.C9	.ME	.S6

\* Please specify RAL colour reference. \* All ceramic lamp circuits contain timed ignitors. \*\* Please specify RAL colour reference. \*\*\* S5 accepts 2.5mm2 cable and single 21.5mm Ø bottom entry. \*\*\*\* S6 accepts 2.5mm2 cable and twin 21.5mm Ø bottom entry, allowing through wiring.