

gateway®

applications

- Public buildings
- Entrances
- Lobbies
- Corridors
- Canopies
- Multi-storey
- Car parks

The Gateway® architectural bulkhead series offers a variety of styles designed to accent architectural settings and meet the needs of extreme environments with its die-cast aluminium and injection-moulded polycarbonate enclosures. Available in round and oval shapes for wall or ceiling mounting, Gateway® provides four distinct designs for a wide array of attractive looks to enhance the space. The versatile Gateway® series accepts a wide selection of compact fluorescent and high intensity discharge lamps to provide superior performance and uniform illumination, improving visibility for commercial and institutional public use facilities.



features and benefits

Contemporary styling in different shapes

- > Aesthetic appeal to complement today's architecture

High quality construction

- > Durable and vandal-resistant

Total lamp obscurity

- > Even illumination

Polycarbonate lens

- > Flexibility of use

Choice of lamp types

- > Versatility

Totally enclosed luminaire

- > Suitable for wide range of applications

lamp types included

35W - 70W metal halide

18W - 42W compact fluorescent (various)

IP rating

IP659 

approvals

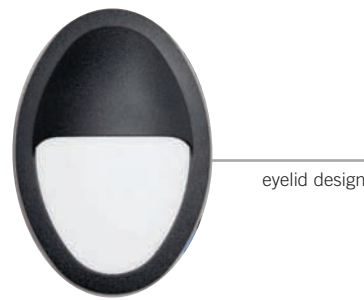
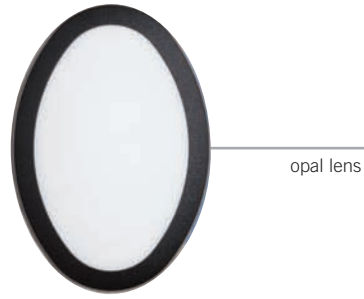
Complies with EN60598

CE

gateway round



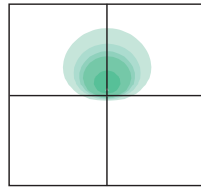
gateway oval



specification

The (round / oval) bulkhead luminaire shall consist of a powder coated pressed steel back plate (GRS / GOS) or a die cast aluminium housing (GRC / GOC) and a cast aluminium bezel. The housing encloses a reflector and integral control gear to suit a choice of 18W, 26W, 32W, 42W TRT compact fluorescent lamps or 35W, 70W ceramic metal halide high intensity discharge lamps, depending on whether this be GRS/GOS or GRC/GOC. The lens shall be a UV stabilised opal diffuser secured in place by a die cast aluminium bezel ensuring environmental protection to IP659 (20 joules impact resistance). The luminaire shall be suitable for surface mounting and complies with EN60598 with a choice of options and accessories.

light distributions

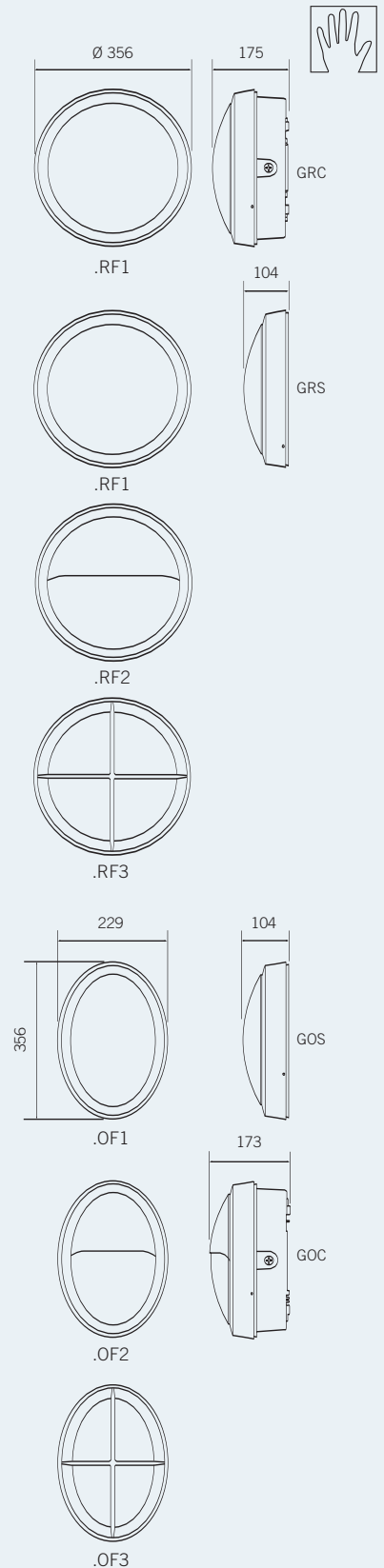


Photometric data is available at www.holophane.co.uk

weights & thermal data

Unit	Lamp Type	Weight (kg)	Min Operating Temperature (°C)	Max Ambient* Temperature (°C)
GRC	35W CDMT	5.6	-20	25
GRC	70W CDMT	5.9	-20	25
GRC	26W TRT	5.3 / 4.5*	-5	25
GRC	32W TRT	4.5	-10	25
GRC	42W TRT	4.5	-10	25
GRC	2 x 42W TRT	4.8	-5	25
GRS	2 x 26W PL	3.1	-5	25
GRS	32W TRT	2.9	-10	25
GRS	26W TRT	2.9	-5	25
GOC	42W TRT	3.7	-10	25
GOC	18W TRT	4.5 / 3.7*	-5	25
GOC	35W CDMT	5.6	-20	25
GOS	32W TRT	2.4	-10	25
GOS	26W TRT	2.4	-5	25
GOS	18W TRT	2.4	-10	25

* Non emergency only
 Emergency below:
 26W TRT Round Emergency +25°C
 26W TRT Emergency +25°C
 18W TRT Oval Emergency +25°C



round style

oval style



.RF1

.OF1



.RF2

.OF2



.RF3

.OF3



ordering details : luminaire



Code						
GRS	Round Gateway slim-line bulkhead					
GRC	Round Gateway cast bulkhead					
Code	Lamp Type					
.35CDMTF3	35W Clear CDM-T 3000K ceramic metal halide lamp (G12) base*					
.70CDMT3	70W Clear CDM-T 3000K ceramic metal halide lamp (E27) base*					
.26TRT	26W Triple tube 4000K compact fluorescent 4 pin lamp (Gx24q-3) base					
.32TRT	32W Triple tube 4000K compact fluorescent 4 pin lamp (Gx24q-3) base					
.42TRT	42W Triple tube 4000K compact fluorescent 4 pin lamp (Gx24q-4) base*					
.242TRT	2 x 42W Triple tube 4000K compact fluorescent 4 Pin lamp (Gx24q-4) base*					
.226PL4	2 x 26W 4000K Compact fluorescent 4 pin lamp (G24d-2) base**					
Code	Style					
.RF1	Round front design with opal polycarbonate lens					
.RF2	Round front with horizontal eye lid design with opal polycarbonate lens					
.RF3	Round front with cross design with opal polycarbonate lens					
Code	Colour					
.C1	White (RAL 9016)					
.C4	Graphite (RAL 7011)					
.C6	Grey (RAL 7035)					
.C7	Black (RAL 9005)					
.C9	Metallic Silver (RAL 9006)					
.RAL****	RAL Colour (Customer Choice)***					
Code	Options†					
.ME	Self contained 3 hour maintained emergency battery & inverter					
.T	Factory fitted miniature photocell					
.TW	Through wiring					
.V	Tamper resistant screws†					
.SHR	Decorative shroud††					
Code	Optional Paint Finish					
.C	Enhanced paint finish*					
Example	GRC	.70CDMT3	.RF1	.C9	.T	.C

*Not available with GRS option. **available with GRC, GRS option. ***Please specify RAL colour reference. †.V option available for GRC & GRS all other options only available to GRC. ††Only available for GRC. Note: Luminaires are supplied as standard for use on 240V 50Hz supply and complete with lamp. For 230V 50Hz add prefix 'N'. Other supply variations available on request.



GRC.SHR.C9
Decorative shroud



Decorative shroud
fitted



ordering details : luminaire

Code

GOS	Oval Gateway slim-line bulkhead
GOC	Oval Gateway cast bulkhead

Code	Lamp Type
.35CDMTF3	35W Clear CDM-T 3000K ceramic metal halide lamp (G12) Base*
.18TRT	18W Triple tube 4000K compact fluorescent 4 pin lamp (Gx24q-2) base
.26TRT	26W Triple tube 4000K compact fluorescent 4 pin lamp (Gx24q-3) base
.32TRT	32W Triple tube 4000K compact fluorescent 4 pin lamp (Gx24q-3) base*
.42TRT	42W Triple tube 4000K compact fluorescent 4 pin lamp (Gx24q-4) base

Code	Style
.OF1	Oval front design with opal polycarbonate lens
.OF2	Oval front with horizontal eye lid design with opal polycarbonate lens
.OF3	Oval front with cross design with opal polycarbonate lens

Code	Colour
.C1	White (RAL 9016)
.C4	Graphite (RAL 7011)
.C6	Grey (RAL 7035)
.C7	Black (RAL 9005)
.C9	Metallic Silver (RAL 9006)
.RAL****	RAL Colour (Customer Choice)**

Code	Options
.ME	Self contained 3 hour maintained emergency battery & inverter
.T	Factory fitted miniature photocell
.TW	Through wiring
.V	Tamper resistant screws

Code	Optional Paint Finish
.C	Enhanced paint finish

Example	GOS	.18TRT	.OF2	.C9	.V	.C
----------------	-----	--------	------	-----	----	----

*Only available with GOC range. **Please specify RAL colour reference.

luminaire accessories

Code

GOC.VK	Vandal key suitable for all Gateway versions
---------------	--