

giant prismatic™ S

applications

- Factories
- Foundries
- Aircraft hangars
- Turbine halls
- Sports halls

Giant Prismatic™ S is big brother to the standard Prismatic luminaire, utilising 1000W lamps for applications where mounting heights exceed 10 metres or where particularly high illuminances have been specified. Giant Prismatic™ S uses the same prismatic glass technology as Prismatic™ S. All the tried and tested attributes of the Prismatic™ S luminaire have been transferred to the larger version. Giant Prismatic™ S is one of the few luminaires on the market today utilising a 1000W HID lamp combined with fully integral control gear, the combination of which results in an economical lighting solution for unusually high mounting heights.



features and benefits

High quality product

- > Durable

Prismatic glass reflector

- > Controlled light output

Venturi effect

- > Self-cleaning luminaire
- > Minimal maintenance costs

One kilowatt lamp source

- > Suitable for mounting heights of over 10 metres

Integral or remote control gear

- > Flexibility in mounting location

A Superglass luminaire

- > Utilises advanced technology

lamp types included

1000W metal halide

875W pulse start metal halide

IP rating

IP20

approvals

Complies with EN60598

CE



To find out more about Superglass please visit www.holophane.co.uk/superglass

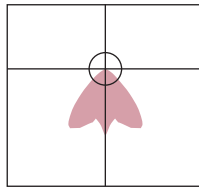


specification

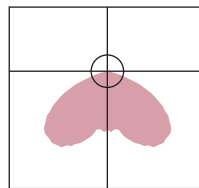
The luminaire shall consist of a prismatic borosilicate glass reflector sealed with a spun aluminium reflector cover, suspended from a gear capsule by means of two fixed lugs and over centre latches to prevent accidental disengagement. The rectangular integral high power factor control gear shall consist of a single die-cast aluminium assembly suitable to operate a one kilowatt high intensity discharge lamp. The luminaire complies with EN60598 with an IP rating of 20.

light distributions

narrow



wide



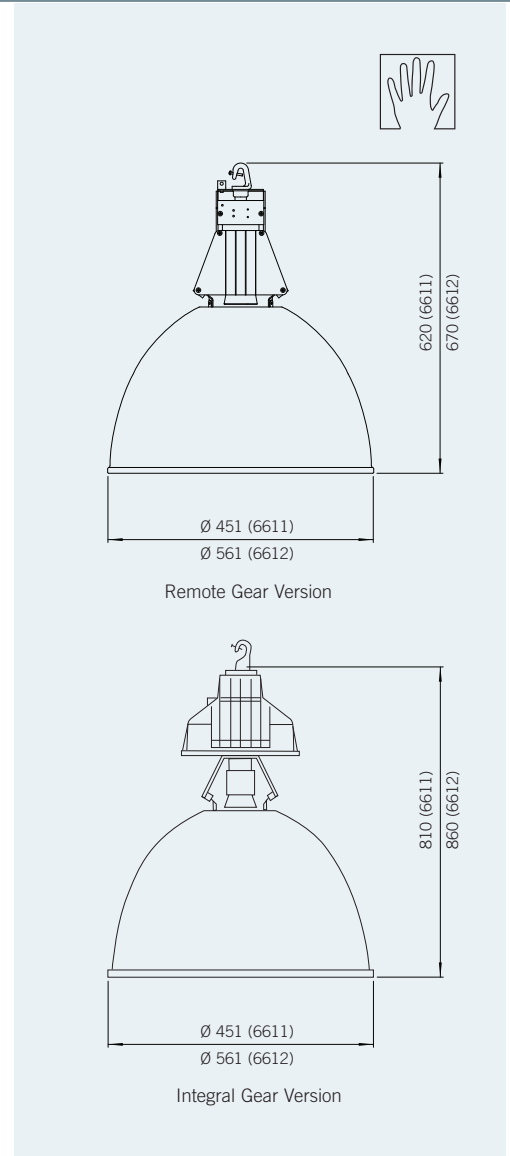
Photometric data is available at www.holophane.co.uk

remote gear box dimensions

Length (mm)	Width (mm)	Height (mm)
400	300	150

weights & thermal data

Lamp Type	Integral Control Gear c/w Reflector Weight (kg)		Remote Gear Box Weight (kg)	Yoke Weight (kg) c/w Reflector Weight (kg)		Operating Temperature (°C)	
	6611	6612		6611	6612	Minimum	Maximum
1000W Multi-Vapor	28	33	15	11.5	16.5	45	45
875W Pulse Start	28	33	15	11.5	16.5	TBC	TBC



ordering details : luminaire

**Code**

GPS Giant Prismatic SuperGlass

Code	Lamp Type
.1000MVT	1000W MV Clear 4000K unprotected metal halide lamp (E40) base
.875HTPSP	875W Clear protected pulse start metal halide (E40) base
Code	Optics†
.WD	6611 Wide
.ND	6612 Narrow
Code	Control Gear Options
.R	Remote control gear yoke assembly not spherical capsule***
.MM	Mechanical relay circuit complete with standby lamp
Code	Optional Paint Finish
.RAL****	Customer specified colour

Example

GPS .1000MVT .ND .R

Note: Luminaires are supplied as standard for use on 240V 50Hz supply and complete with lamp. For 230V 50Hz add prefix 'N'. Other supply variations available on request. *** Maximum distance between control gear and lamp is 20m (applicable to 1000w lamp only, 875w tbc). The cable must have a load capacitance of 75pF/m or less.

accessories**Code**

PPS.G1	6611 Wire guard
PPS.G2	6612 Wire guard
HEL.TS3	High Temperature Silicon Cable for Remote Gear Ignitor Circuits. State Length Required

† SHR

.ND	narrow	0.9:1 to 1.3:1
.WD	wide	1.3:1 to 1.9:1