

# gladiator®

## applications

- Car parks
- Public areas
- Precincts
- Shopping malls
- Promenades
- Roadways

The top hemispherical reflector of Gladiator® holds the solution to many exterior lighting problems by reducing upward light, increasing downward light and providing an attractive feature that can be colour customised to blend into specific themes. The lower hemisphere of the luminaire is a precisely moulded prismatic refractor which directs light exactly where it is needed in a controlled symmetrical distribution, allowing wide spacings between luminaires whilst maintaining high uniformity. Lamp obscuration is excellent, with total uniformity of brightness.



**features and benefits**

- Top hemispherical reflector
  - > 'Night time friendly'
- Precise prismatic control
  - > Maximum efficiency & low glare
- Choice of lamp types
  - > Versatility
- Unique mounting system
  - > Easy installation without visible fixings

**lamp types included**

- 100W - 150W metal halide
- 70W - 250W high pressure sodium

**IP rating**IP65 **approvals**

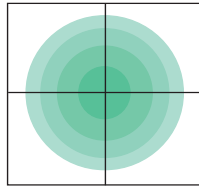
Complies with EN60598

**CE**

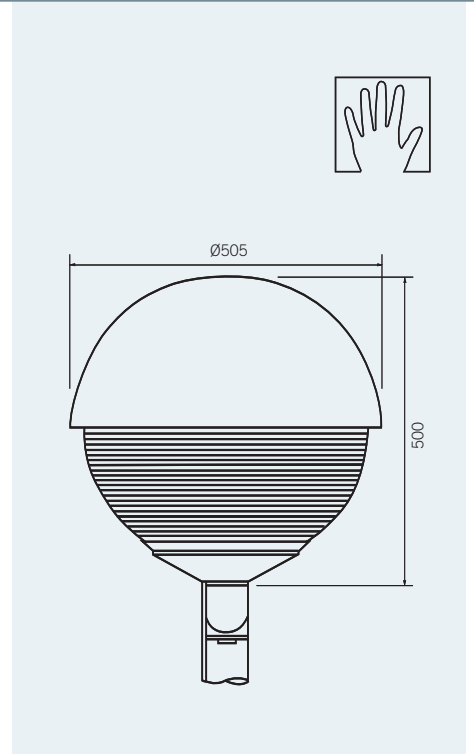
**specification**

The luminaire shall consist of a conical die-cast aluminium gear housing and mild steel gear tray to accommodate integral or remote control gear to suit a wide choice of high intensity discharge lamps. The housing shall be secured to the column/bracket by a wedgelock clamping assembly fixed to its underside, suitable for 76mm outer diameter columns. The optical assembly shall consist of a prismatic polycarbonate 450mm diameter sphere with an upper hemispherical anodised aluminium reflector to minimise upward light. The enclosure shall be secured to the spigot housing by three screws and a closed cell resilient gasket ensuring an IP rating of 65. The luminaire shall be suitable for a range of bracketry and columns to suit and complies with EN60598 with a wide choice of options and accessories.

**light distribution**



Photometric data is available at [www.holophane.co.uk](http://www.holophane.co.uk)



**weights & thermal data**

Lamp Type	Weight (kg)		Min Operating Temperature (°C)	Max Ambient Temperature* (°C)	
	Integral	Remote		Integral	Remote
70W High Pressure Sodium	9.0	7.5	-30	65	65
100W High Pressure Sodium	9.5	7.5	-30	40	60
150W High Pressure Sodium	10.5	7.5	-30	35	50
250W High Pressure Sodium	10.5	7.5	-30	30	35
100W Metal Halide	9.5	7.5	-20	40	60
150W Metal Halide	10.5	7.5	-20	35	50

\* The maximum ambient temperatures stated are for exterior use only. For interior use deduct 10°C from the temperature stated.

**windage**

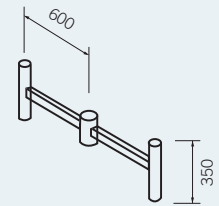
**Code**

Gladiator	0.2m <sup>2</sup>
-----------	-------------------

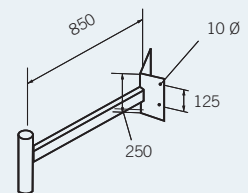
Standard brackets are manufactured from mild steel, etched primed and finished in textured black, powder coat and stoved. All bracket combinations are supplied complete with suitable fixing kits.



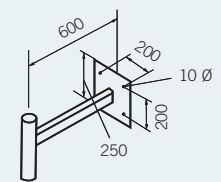
**bracket details**



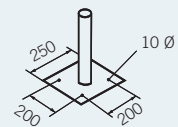
Twin Head Bracket



HEL.CCB - Corner Bracket



HEL.CWB - Wall Bracket



HEL.CRB - Roof Bracket



## ordering details : luminaire

Code				
GLD	Gladiator			
	Code	Lamp Type		
	.70XT	70W Clear high output HPS lamp (E27) base		
	.100XT	100W Clear high output HPS lamp (E40) base		
	.150XT	150W Clear high output HPS lamp (E40) base		
	.250XT	250W Clear high output HPS lamp (E40) base		
	.100CDMT3	Clear CDM-T 3000K metal halide lamp (E40) base		
	.150CDMT3	Clear CDM-T 3000K metal halide lamp (E40) base		
	Code	Top Hemisphere & Base Colour		
	.C1	White (RAL 9016)		
	.C4	Graphite (RAL 7011)		
	.C6	Grey (RAL 7035)		
	.C7	Black (RAL 9005)		
	.C9	Metallic Silver (RAL 9006)		
	.RAL****	RAL colour (customer choice)*		
	Code	Options		
	.6WA	60mm Wedgelock Assembly		
	.C	Enhanced Paint Finish		
	.R1	Remote Gear Version		
	.T	Photocell (Factory Fitted)		
Example	GLD	.150XT	.C9	.C

\*Please specify RAL colour reference. Note: Luminaires are supplied as standard for use on 240V 50Hz supply and complete with lamp. For 230V 50Hz add prefix 'N' Other voltages available on request, timed ignitors as specials available on request. Note: Maximum distance between remote control gear and lamp is 20m. The cable must have a load capacitance of approx. 75pF/m or less.

## luminaire accessories

order separately for on-site installation by others

Code	
<b>CAR.S1</b>	180° Back Shield
<b>CAR.TC70</b>	Photocell (Retro-fit)
<b>HEL.CWB</b>	Wall bracket
<b>HEL.CCB</b>	Corner bracket
<b>HEL.CRB</b>	Roof bracket



CAR.S1 180° back light shield

ordering details : columns & brackets

Code								
GLDB	Gladiator Tubular Base Compartment Column							
GLDC	Gladiator Steel Conical Column							
GLDMH	Gladiator Steel Mid Hinged Column							
Code	Luminaire Mounting Height							
.3	3 metres*							
.4	4 metres							
.5	5 metres							
.6	6 metres							
.8	8 metres							
Code	Column Category please refer to page 24.15 for definition of the EN40 guidelines							
.LMZ	For light & medium area wind zones (EN40 rationalised wind zones)							
.HVZ	For heavy area wind zones (EN40 rationalised wind zones)							
.HEZ	For extra heavy wind zones (EN40 rationalised wind zones)							
Code	Brackets							
.1A	Single head							
.2A	Twin head†							
Code	Colour							
.C1	White (RAL 9016)							
.C4	Graphite (RAL 7011)							
.C6	Grey (RAL 7035)							
.C7	Black (RAL 9005)							
.C9	Metallic Silver (RAL 9006)							
.RAL****	RAL Colour (customer choice)**							
Code	Optional Base Type please refer to page 24.1 for details, base is dependant on height and type of column							
.FB1	Flange base							
.FB2	Flange base							
Code	Optional Column Finish							
.P1	Black undercoat primed							
.P2	Undercoat primed to match RAL colour							
Code	Optional Paint Finish							
.C	Enhanced paint finish***							
<b>Example</b>	GLDB	.4	.LMZ	.1A	.C1	.FB1	.P1	.C

\*not available for GLDMH. \*\*Please specify RAL colour reference. \*\*\*Bracket Only. † not available for GLDMH in a .HEZ wind zone.

column accessories

**Code Tubular Compartment Columns (GLDB)**

<b>HEL.B.FS1</b>	J-Anchor Bolts for flange base, 3m to 5m
<b>HEL.B.FS2</b>	J-Anchor Bolts for flange base, 6m to 8m
<b>HEL.CBEPAC</b>	Cut Out Box and Earth Plate for Armoured Cable*

**Code Conical Steel Columns (GLDC)**

<b>HEL.C.FS1</b>	J-Anchor Bolts for flange base, 3m to 5m
<b>HEL.C.FS2</b>	J-Anchor Bolts for flange base, 6m to 8m
<b>HEL.CBEPAC</b>	Cut Out Box and Earth Plate for Armoured Cable*

**Code Mid Hinged Columns (GLDMH)**

<b>HELMH.FS1</b>	J-Anchor Bolts for flange base, 4m to 5m
<b>HELMH.FS2</b>	J-Anchor Bolts for flange base, 6m to 8m
<b>.RLR4</b>	Raise lower rope 4m-5m
<b>.RLR6</b>	Raise lower rope 6m
<b>.RLR8</b>	Raise lower rope 8m
<b>HEL.CBEPAC</b>	Cut Out Box and Earth Plate for Armoured Cable*

\*please contact Holophane for details