

led series

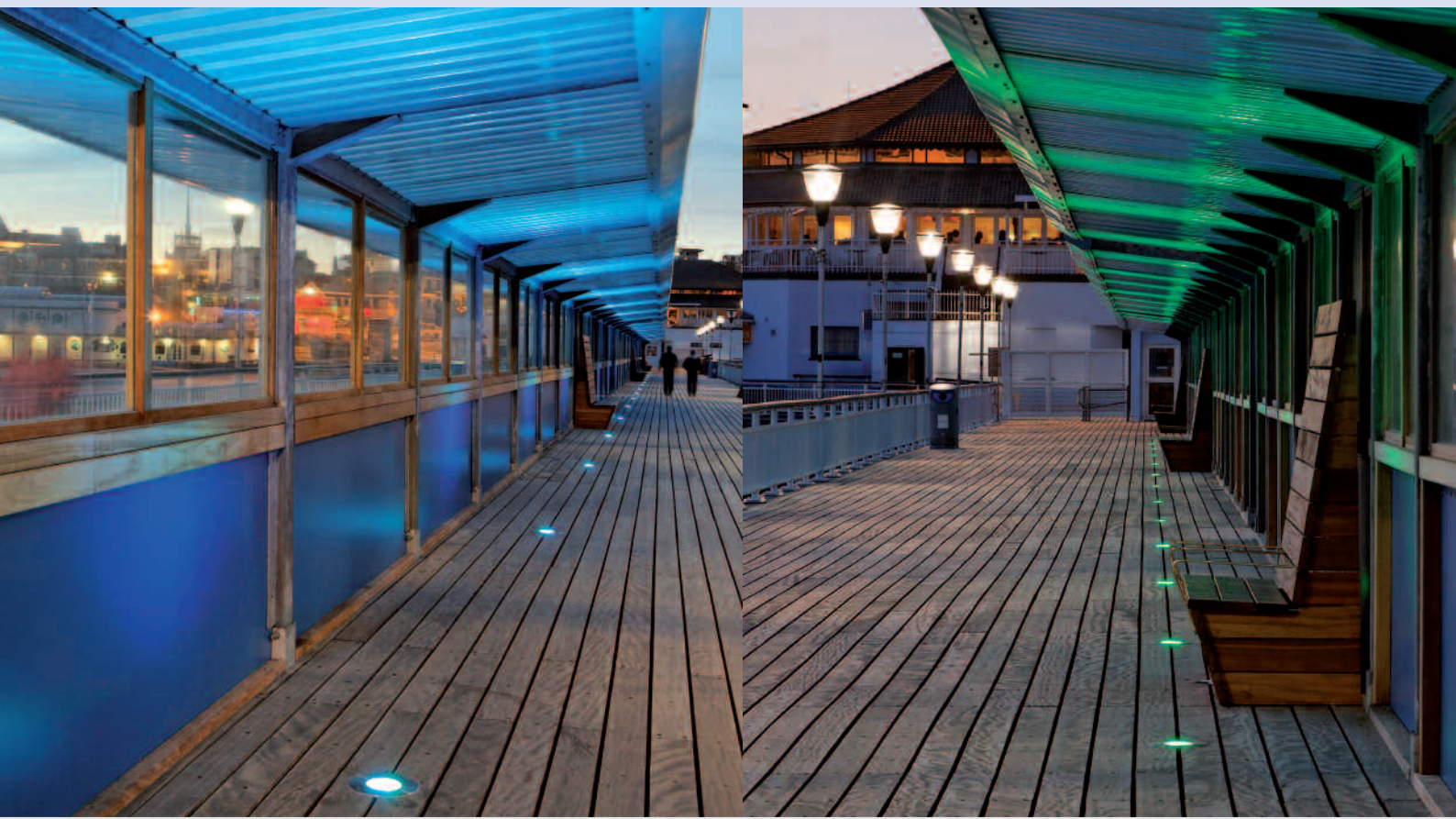
applications

- Architectural features
- Pedestrian guidance
- Landscape lighting

All products in Holophane's LED Series are manufactured with Luxeon Lighting Network Approval.



LED Series fittings utilise the award-winning Luxeon high power LEDs from Lumileds, which offer distinct advantages over 5mm LEDs, including superior light output and lumen maintenance, housed in a cast aluminium body with a round or square stainless steel door. These revolutionary LEDs are available in six colours - warm white, cool white, blue, green, red and amber - and with acrylic lenses to give a choice of beam angles. The low lens temperature makes them suitable for use in public areas, where there is a possibility of people touching them. They can be ground or wall-recessed as well as stirrup-mounted and will enhance the appearance of a multitude of architectural applications.



features and benefits

Round or square stainless steel bezel

- > Aesthetic appeal to complement today's architecture

Robust construction

- > Durable

Utilising Luxeon high power LEDs from Lumileds



- > Reliable
- > Long life
- > Higher lumen output than 5mm LEDs
- > Suitable for use in public areas
- > Suitable for wet location areas
- > Superior lumen maintenance
- > Very long operating life
- > Available in white, green, blue, red, and amber
- > More energy efficient than incandescent and most halogen lamps
- > Low voltage DC operated
- > Cool beam, safe to the touch
- > Instant light

lamp types included

LED Series (uplighters)

- 3 x 1.2W Luxeon LEDs
- 6 x 1.2W Luxeon LEDs
- 9 x 1.2W Luxeon LEDs
- 12 x 1.2W Luxeon LEDs

IP rating

IP685 (standard glass)  2m 

IP687 (vandal-resistant glass)  2m 

approvals

Complies with EN60598

CE



12 x 1.2w recessed LED

9 x 1.2w recessed LED

specification

LED series

The luminaire shall consist of a LM24 marine grade cast aluminium body with a round or square 304 grade stainless steel surface bezel. The body shall house three, six, nine or twelve 1.2W Luxeon high power LEDs in warm white, cool white, blue, green, red or amber , giving a 6, 25 or 45 degree beam (via acrylic focusing lens). The door lens shall comprise of circular clear or frosted toughened glass. A vandal-resistant option with a 10mm thick glass shall also be available. The luminaire shall be suitable for recessed wall and ground-mounting as well as surface-mounting via a stirrup. The luminaire shall have a load resistance of 1500kg, complies with EN60598 and be sealed to IP68.

light distributions

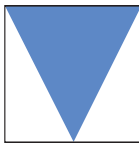
6° Beam



25° Beam



45° Beam



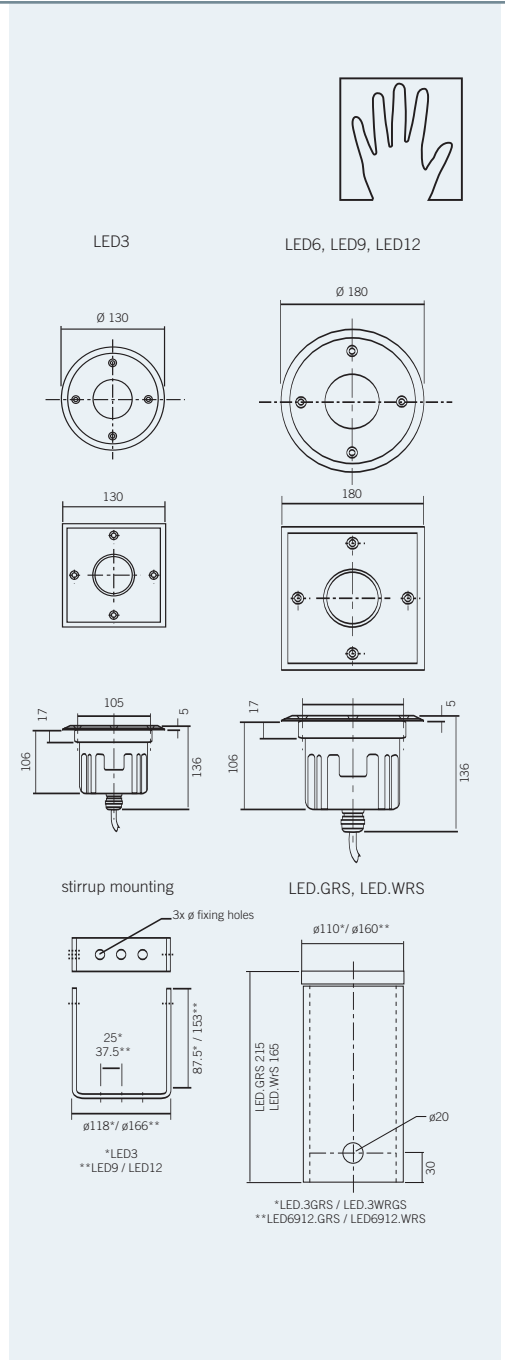
Photometric data is available at www.holophane.co.uk

note: All beam angles to 1/2 peak beam intensity.

weights & thermal data

Luminaire Type	Weight (kg)	Min Operating Temperature (°C)	Max Ambient Temperature (°C)
LED3	1.5	-20	30
LED6, LED9, LED12	3.4	-20	30

Note: The maximum ambient temperatures stated are for exterior use only. For interior use deduct 10°C from temperature stated.





ordering details : luminaire



Code

LED	High output LED uplighter / floodlight					
	Code	Light Source				
	.3WH	3 x 1.2W cool white Luxeon high output LED' s (5000K)				
	.3WWH	3 x 1.2W warm white Luxeon high output LED' s (3200K)				
	.3BL	3 x 1.2W blue Luxeon high output LED' s				
	.3RD	3 x 1.2W red Luxeon high output LED' s				
	.3GR	3 x 1.2W green Luxeon high output LED' s				
	.3AM	3 x 1.2W amber Luxeon high output LED' s				
	.6WH	6 x 1.2W cool white Luxeon high output LED' s (5000K)				
	.6WWH	6 x 1.2W warm white Luxeon high output LED' s (3200K)				
	.6BL	6 x 1.2W blue Luxeon high output LED' s				
	.6RD	6 x 1.2W red Luxeon high output LED' s				
	.6GR	6 x 1.2W green Luxeon high output LED' s				
	.6AM	6 x 1.2W amber Luxeon high output LED' s				
	.9WH	9 x 1.2W cool white Luxeon high output LED' s (5000K)				
	.9WWH	9 x 1.2W warm white Luxeon high output LED' s (3200K)				
	.9BL	9 x 1.2W blue Luxeon high output LED' s				
	.9RD	9 x 1.2W red Luxeon high output LED' s				
	.9GR	9 x 1.2W green Luxeon high output LED' s				
	.9AM	9 x 1.2W amber Luxeon high output LED' s				
	.12WH	12 x 1.2W cool white Luxeon high output LED' s (5000K)				
	.12WWH	12 x 1.2W warm white Luxeon high output LED' s (3200K)				
	.12BL	12 x 1.2W blue Luxeon high output LED' s				
	.12RD	12 x 1.2W red Luxeon high output LED' s				
	.12GR	12 x 1.2W green Luxeon high output LED' s				
	.12AM	12 x 1.2W amber Luxeon high output LED' s				
	Code	Beam Angle				
	.06D	6 Degree Beam Acrylic Lens**				
	.25D	25 Degree Beam Acrylic Lens**				
	.45D	45 Degree Beam Acrylic Lens				
	Code	Door Style				
	.RD	Round Stainless Steel Door				
	.SD	Square Stainless Steel Door				
	Code	Glass Type				
	.VGC	Clear Vandal-Resistant Glass				
	.VGF	Frosted Vandal-Resistant Glass***				
	Code	Options				
	.GSS	Stainless Steel Stirrup Mounted Option*				
	.TW	Through-wiring Option				
Example	LED	.3WH	.25D	.RD	.VGC	.GSS

* For surface mounting (no recessing sleeve accessory required). ** Not available with frosted glass (.VGF). *** Only available with 45° optic (45D).

luminaire accessories

order separately for on site installation by others

Code	Aluminium Ground Recessing Sleeve
LED.3GRS	For 3 x 1.2W In-Grade LED luminaire*
LED.6912GRS	For 6, 9 or 12 x 1.2W In-Grade LED luminaire*

Code	Aluminium Ground Recessing Sleeve
LED.3WRS	For 3 x 1.2W In-Grade LED luminaire*
LED.6912WRS	For 6,9 or 12 x 1.2W In-Grade LED luminaire*
LED.ILC	IP68 Inline Connector

*Holophane recommend the use of a recessing sleeve accessory for all types of recessed installation. The aluminium sleeve improves heat dissipation from the luminaire into the mounting sub-strata, which improves the operating characteristics of the LEDs.



LED.3GRS - Aluminium Ground Recessing Sleeve



LED.6912GRS - Aluminium Ground Recessing Sleeve



LED.WRS - Cast Aluminium Wall Recessing Sleeve



LED.ILC - IP68 Inline Connector