

prism-pack™ s

applications

- Factories
- Foundries
- Aircraft hangars
- Warehouses
- Turbine halls
- Sports halls
- Ice rinks

The success of Prism-pack™ lies in the original Holophane prismatic glass reflector, now widely accepted as being the optimum way to increase efficiency and minimise the number of luminaires, resulting in minimal installation and running costs. The borosilicate glass reflectors offer a choice of light distributions to suit the exact dimensions of the environment. The maintenance characteristics of Prism-pack™ are exceptional, due to the open bottom/open top self-cleaning reflector technology. Prism-pack™ is the premier industrial high bay lighting fixture, proving that there really is no better solution to industrial lighting.

Prism-pack™ S is now available with ecapsule technology, this links all the energy benefits of electronic gear with that of Superglass™.



features and benefits

Prismatic glass reflector

- > Controlled light output
- > Reduced glare

High efficiency

- > Reduced energy costs
- > Cleaning restores 100% efficiency

Low electrostatic charge

- > Low particle accumulation
- > Luminaire stays cleaner for longer leading to lower dirt depreciation

A Superglass luminaire

- > Utilises advanced technology

Venturi effect

- > Self-cleaning luminaire
- > Reflectors stay cleaner for longer
- > Minimal maintenance costs

Choice of light distributions

- > To suit exact dimensions of environment

Electronic Gear options

- > Continuous dimming
- > Energy Efficient
- > Improved lamp life
- > 1-10v Signal control voltage
- > High frequency operation

lamp types included

250W - 450W metal halide (various)

400W high pressure sodium

IP rating

IP20 (standard)

IP54 (enclosed version with .WL option) 

approvals

Complies with EN60598 



superglass



energyefficient

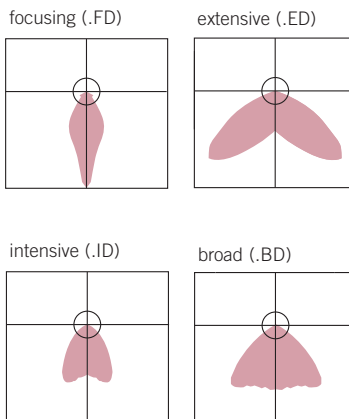
To find out more about Superglass or ecapsule please visit www.holophane.co.uk



specification

The luminaire shall consist of a prismatic borosilicate glass reflector, with a spun aluminium reflector cover, suspended from a gear capsule by means of two fixed lugs and over centre latches to prevent accidental disengagement. The choice of reflectors shall be capable of providing an array of light distributions with different spacing characteristics. The spherical integral high power factor control gear capsule shall consist of a two-part die-cast aluminium assembly suitable to operate a variety of high intensity discharge lamps. Electrical supply to the capsule by means of a plug and socket arrangement. The luminaire complies with EN60598. The reflector shall be open bottom/top to facilitate the venturi effect. The luminaire shall be IP54 when used in conjunction with an enclosed reflector and glanded entry.

light distributions



Photometric data is available at www.holophane.co.uk

remote gear box dimensions

Length (mm)	Width (mm)	Height (mm)
355	115	150

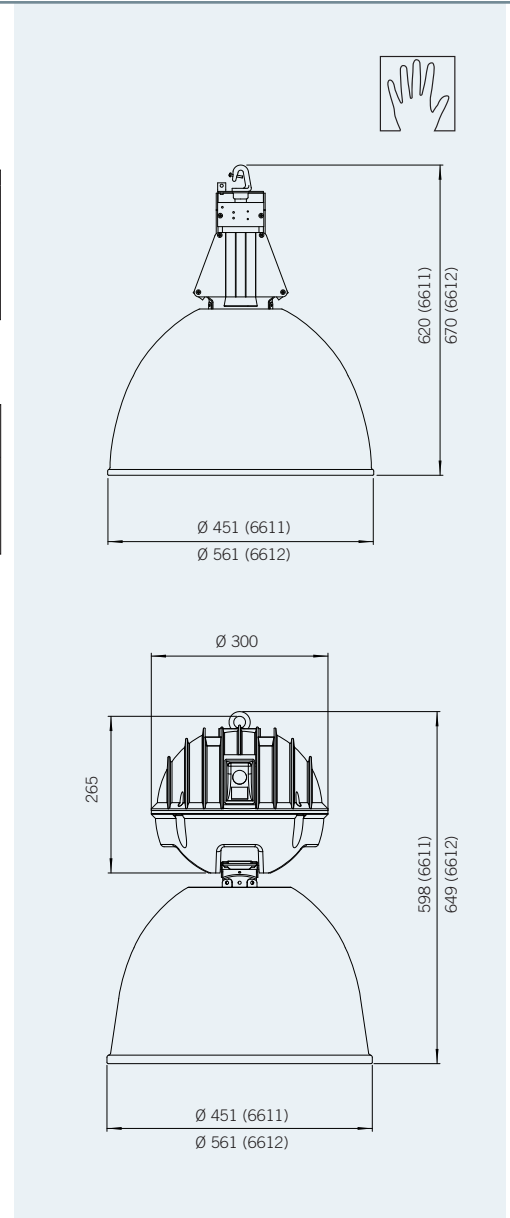
weights & thermal data

PPSE Electronic control gear

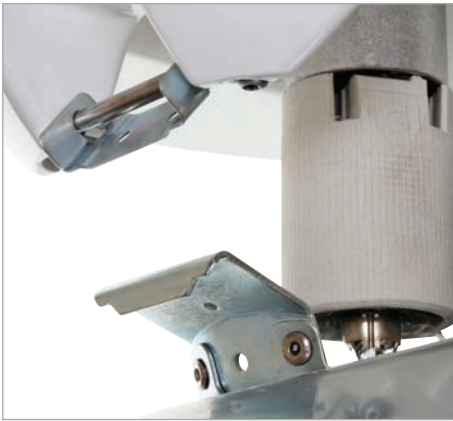
Lamp Type	Integral Control Gear c/w Reflector Weight (kg)		Operating Temperature (°C)	
	6611	6612	Minimum	Maximum
320W Metal Halide	15.5	20.5	-30	35
350W Metal Halide	15.5	20.5	-30	35
400W Metal Halide	15.5	20.5	-30	35

PPS Electromagnetic control gear

Lamp Type	Integral Control Gear c/w Reflector Weight (kg)		Remote Gear Box Weight (kg)	Remote Yoke c/w Reflector Weight (kg)		Operating Temperature (°C)	
	6611	6612		6611	6612	Minimum	Maximum
250W High Pressure Sodium	18.5	23.5	10.5	11.5	16.5	-30	40
400W High Pressure Sodium	19	24	11.5	11.5	16.5	-30	40
250W Metal Halide	18.5	23.5	10.5	11.5	16.5	-30	40
400W Metal Halide	19	24	11.5	11.5	16.5	-30	40
450W Metal Halide	19	24	11.5	11.5	16.5	-30	40



Easy Tool-Free Installation



Suspension loop



Plug & socket arrangement (standard)



6611 reflector

ordering details : luminaire



Code

PPS Prism-pack SuperGlass

Code	Lamp Type
.400XD	400W coated high output high pressure sodium lamp (E40) base
.400MVDP	400W MV coated 3200K protected metal halide lamp (E40) base
.250HDP	250W coated 5000K protected metal halide lamp (E40) base
.400HDP	400W coated 5000K protected metal halide lamp (E40) base
.250HDPSP	250W coated 3700K protected pulse start metal halide lamp (E40) base
.400HDPSP	400W coated 3700K protected pulse start metal halide lamp (E40) base
.450HDVP	450W coated 3700K protected start metal halide lamp (E40) base
.250HTPSP	250W clear 3700K protected pulse start metal halide lamp (E40) base
.400HTPSP	400W clear 3700K protected pulse start metal halide lamp (E40) base
.450HTVP	450W clear 3700K protected start metal halide lamp (E40) base
Code	Optics Nominal SHR Reflector†
.FD	6612 focusing
.ID	6612 intensive
.BD	6611 broad
.ED	6611 extensive††
Code	Control Gear Options
.M	Electronic relay circuit complete with standby lamp
.PO1	Lamp for customer auxiliary 230/240v supply
.Y01	3 Hour sustained emergency battery & inverter**
.IG	Timed Ignitor
.WL	Wet location (IP54 capsule) with glanded entry
Code	Mounting Options
.R	Remote control gear yoke assembly not spherical capsule
.B	Flush mounting bracket
.Q	Catenary mounting bracket
.CA	Safety chain attachment (chain not included)
Code	Optional Paint Finish
.RAL****	Customer specified colour***
.D01	Suitable for a maximum ambient temperature of 60°c
Example	PPS .400XD .FD .R

*.B &.Q not available together. ***Please specify RAL colour reference.**Contained in IP23 enclosure for operating 100W 12V lamp.
 Note: Luminaires are supplied as standard for use on 240V 50Hz supply, and complete with lamp. For 230V 50Hz add prefix 'N'.
 Other supply variations available upon request. ††250HTPSP not available with .ED.

† SHR

.FD	focusing	0.7:1 to 0.9:1
.ID	intensive	0.9:1 to 1.2:1
.BD	broad	1.2:1 to 1.7:1
.ED	extensive	1.7:1 to 2.2:1

accessories

Code

PPS.BEK.6611	Toughened glass bottom enclosure kit for 6611 reflector
PPS.BEK.6612	Toughened glass bottom enclosure kit for 6612 reflector
PPS.BEK.6611.PC	Polycarbonate & Glass bottom Enclosure Kit for 6611 reflector
PPS.BEK.6612.PC	Polycarbonate & Glass bottom Enclosure Kit for 6612 reflector
PPS.G1.6611	Wire guard for 6611 reflector
PPS.G2.6612	Wire guard for 6612 reflector
HEL.LOOP	Suspension loop
HEL.OK	Open / closed loop adapter (Karabiner)
HEL.TS3	High Temperature silicon cable for remote gear ignitor circuits. state length required

**Code**

PPSE Primpack S Electronic Gear Version

Code **Lamp Type**

.320HDPSP	320W Coated Protected Pulse Start Metal Halide
.320HTPSP	320W Clear Protected Pulse Start Metal Halide Lamp
.350HDPSP	350W Coated Protected Pulse Start Metal Halide
.350HTPSP	350W Clear Protected Pulse Start Metal Halide Lamp
.400HDPSP	400W Coated Protected Pulse Start Metal Halide
.400HTPSP	400W Clear Protected Pulse Start Metal Halide Lamp

Code **Dimming Rate (Optional) i.e. without no dimming**

.ANF**	Analogue (1-10 volt DC) Fast Dim System
.ANS****	Analogue (1-10 volt DC) Slow Dim System
.DIF**	Digital (MADLI) Fast Dim System
.DIS****	Digital (MADLI) Slow Dim System

Code **Distribution (Required)**

.FD	6612 focusing
.ID	6612 intensive
.BD	6611 broad
.ED	6611 extensive

Code **Control Gear Options**

.M	Electronic relay circuit complete with standby lamp
.WL	Wet location (IP54 capsule) with glanded entry
.YO1	Complete with 3 hour sustained emergency battery & inverter
.PO1	Customer Auxiliary Lamp Supply 230/240V

Mounting Options

.B	Flush mounting bracket
.Q	Catenary mounting bracket
.CA	Safety chain attachment (chain not included)

Optional Paint Finish

.RAL	Customer specified colour***
------	------------------------------

Example

PPSE .320HDPSP .ANF .FD .WL

*.B & .Q not available together. ** Fast dimming up speed (approx. 5 seconds up and 3 minutes down) ***Please specify RAL colour reference.

Note: Luminaires are supplied as standard for use on 240V 50Hz supply, and complete with lamp. For 230V 50Hz add prefix 'N'. Other supply variations available upon request. **** Standard dimming speed (approx 3 minutes up and 3 minutes down)

accessories (for PPSE only)**Code**

ECAP.CONNECTIONS	Control signal connection plug kit. Including TT, male and female connectors.
ECAP.PCB	Photo-light Sensor with analogue 1 10V output signal. Requires 24VDC power supply. Compatible with Building Management Systems (BMS).Complete with suspension mounting shroud
ECAP.PCRC	Photo-light Sensor with analogue 1 10V output signal. Complete with suspension mounting shroud and remote variable adjustment
ECAP.PDD130	Single 30m Range Presence Detector and remote variable adjustment
ECAP.PDD230	Two Linked 30m Range Presence Detectors with remote variable adjustment
ECAP.PDD160	Single 60m Range Presence Detector and remote variable adjustment
ECAP.PDD260	Two Linked 60m Range Presence Detectors with remote variable adjustment

(Please order ecap.connections for all luminaires that need to be linked together in controlled zones).