

Q the story

In the development of QSS™ all issues of modern “Group B” street lighting requirements have been considered in the design of QSS.

CEN code

QSS™ was developed primarily for illuminance lighting requirements prescribed in the new BS5489 2003 standard, especially for S Class, ES Class, EV Class and CE Class requirements but it also performs extremely well to ME Class (luminance) standards.

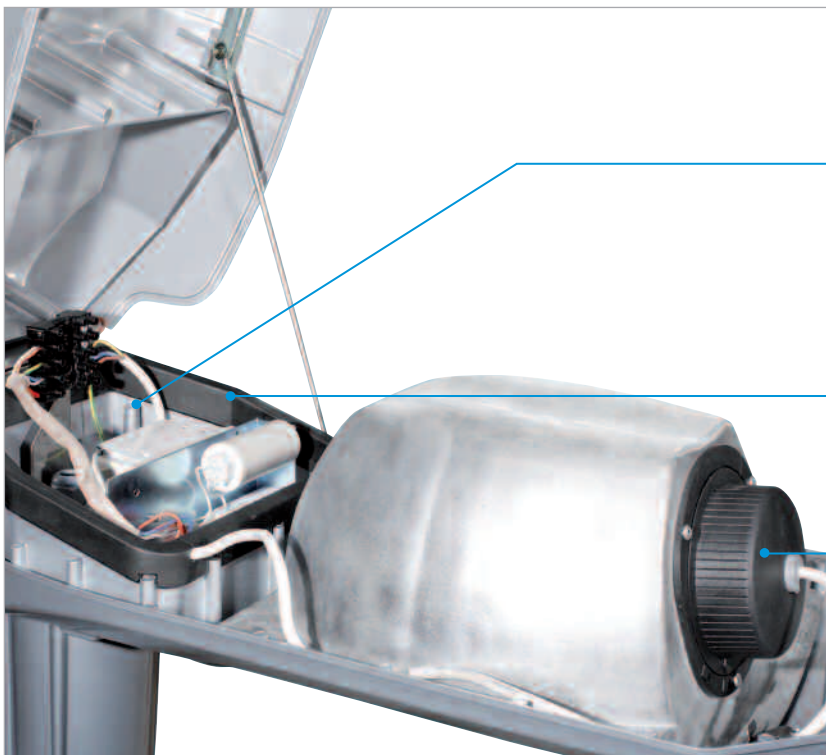
Photocells

To cater for the varying requirements of local authorities and end users a range of photocell options ranging from various miniature photocells to NEMA are available

features

QSS™ has been designed to take advantage of the latest technological advances in electronic control gear, remote monitoring and lamp technologies with its Q-Cool™ sealed gear compartment, Q-Tray™ gear tray and Q-Safe™ sealed optic.

Q-Cool™ System The heat generated by the lamp can be an issue regarding control gear life, especially when using electronic control gear. The in-built Q-Cool™ system, houses the control gear in a thermally sealed IP65 compartment separate from the lamp and optic. This feature keeps temperatures in the gear compartment significantly cooler than in conventional luminaires, helping to maximise control gear life.



Q-Tray™

Holophane's easy maintenance clip-in gear tray system.

Q-Cool™ system

Holophane's thermally sealed gear compartment, designed to maximise electronic gear life.

Q-Safe™ optic

Holophane's IP669 sealed optic system.

the Q-Cool™ compartment has been designed with remote monitoring devices in mind, allowing room for the additional components required.

Q-Tray™ The clip-in Q-Tray™ allows easy, tool-free control gear maintenance for magnetic control gear, saving time and cost. When using electronic control gear, the gear tray is fixed to the luminaire body via two screws to allow additional heat dissipation for longer gear life (minimal use of tools will be required for maintenance).

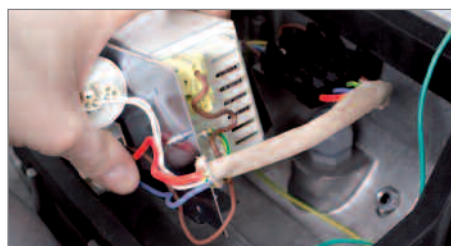
Q-Safe™ optic The Q-Safe™ optic has been designed to accommodate the latest in lamp technology, including compact fluorescent and the CosmoPolis lamp range from Philips. For quick and easy maintenance, the complete Q-Safe™ optic assembly can be replaced without the use of tools.

Q-Safe™ features a vibration-free twist-lock lampholder for tool-free re-lamping, which further cuts down on maintenance costs, while the IP 669 optic assembly offers total weather protection and maximum protection against vandalism with its 20 joule shock resistance.

Two enclosures are available: curved glass and a low profile polycarbonate bowl. While the polycarbonate bowl offers wider spacings and even higher vandal resistance, benefits of the glass enclosure include improved efficiency, lower perceived glare, no UV degradation and extended maintenance cycles.



Q-Cool™ Thermally sealed gear Compartment



Q-Tray™ Clip in gear tray system



Q-Safe™ Optic IP669 assembly



The Twist lock lampholder...



...enables tool free lamp access for ease of maintenance

applications

CEN Code:
S Class
ES Class
EV Class
CE Class
ME Class
Residential streets
Pedestrian areas

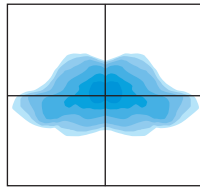
Developed especially for illuminance lighting to BS5489 2003, QSS™ is the latest addition to the Holophane QS street lighting range. The smallest in the range, QSS™ offers a contemporary look with a choice of light distributions and lamp types to suit a variety of applications. Its precisely engineered reflector controls and directs the light, saving energy and costs by minimising waste and spillage. With limited upward light, QSS™ conforms to Night time friendly requirements. The unique thermally sealed Q-Cool™ gear box system keeps the control gear cool, maximising gear life, especially important when using electronic control gear. Its durable LM6 aluminium construction, high maintenance factor and facility for tool-free maintenance take into account important issues of modern street lighting.



specification

The luminaire shall consist of a high pressure die-cast low copper content LM6 grade aluminium body and canopy housing the control gear suitable for a range of compact fluorescent and HID lamps in a choice of wattages. The optic shall consist of an anodised aluminium reflector enclosed by toughened glass or a low profile polycarbonate bowl and sealed to IP669. The control gear shall be mounted on a removable gear tray when magnetic gear has been specified in a thermally sealed compartment separate from the reflector and lamp, which shall be sealed to IP65. Control gear and lamp shall be accessible via tool-free entry. The luminaire shall be suitable for 60mm or 76mm post-top (0° or 5° tilt) and 34mm or 42mm side entry (120mm spigot length) mounting, have a grey powder-coated finish canopy as standard and complies with EN60598.

light distribution



Photometric data is available at www.holophane.co.uk

windage

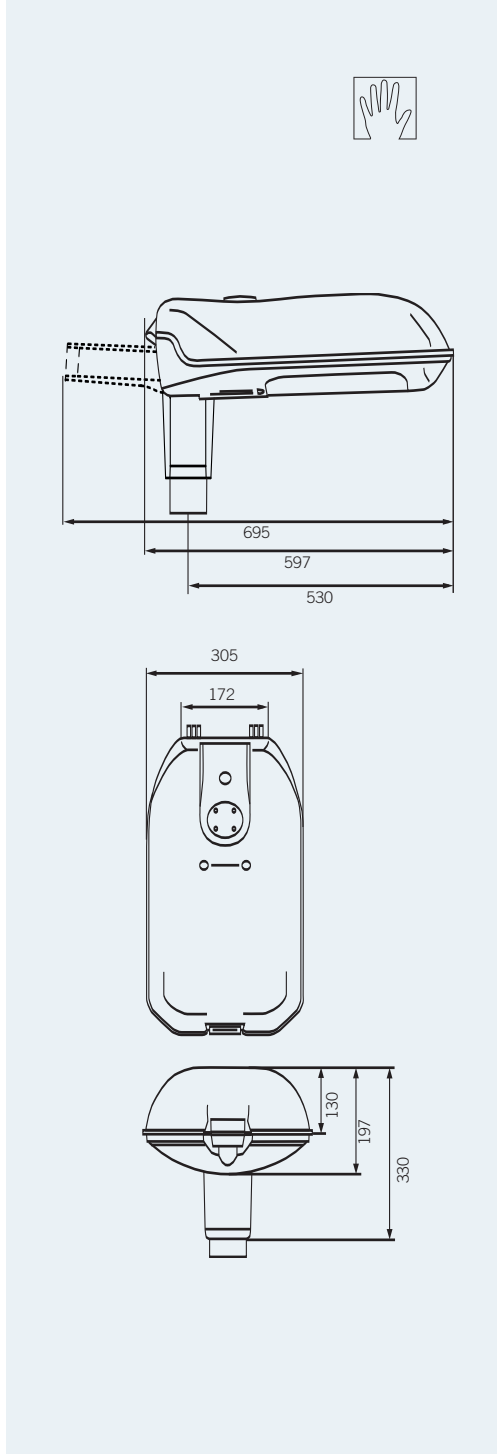
| Code | |
|--------|---------------------|
| QSS.CG | 0.08m ² |
| QSS.LP | 0.085m ² |



Canopy stay



Q-Cool™ Cooling fins



weights & thermal data

| Gear Type | Lamp Type | Weight (kg)* | Maximum Ambient Temperature TA** |
|-----------------------------|---------------|--------------|----------------------------------|
| Magnetic/wire-wound | 100w-150w CDM | 12.5 | 35 |
| Magnetic/wire-wound | 50w-70w CDM | 12 | 35 |
| Electronic/Harvard (.EH) | 35w-150w CDM | 10 | 50 |
| Electronic/Zodion (.EZ) | 50w-150w CDM | 10 | 55 |
| Electronic/SELC (.ES/.ESM) | 50w-70w CDM | 10 / 11.5*** | 60 |
| Electronic/SELC (.ES/.ESM) | 100w-150w CDM | 10 / 11.5*** | 45 |
| Electronic/Metrolight (.EM) | 50w-150w CDM | 10 | 55 |
| Magnetic/Wire-wound | 50w-150w SON | 12 | 35 |
| Electronic/Havard (.EH) | 35w-150w SON | 10 | 50 |
| Electronic/Zodion (.EZ) | 50w-150w SON | 10 | 55 |
| Electronic/SELC (.ES/.ESM) | 50w-70w SON | 10 / 11.5*** | 60 |
| Electronic/SELC (.ES/.ESM) | 100w-150w SON | 10 / 11.5*** | 45 |
| Electronic/Metrolight (.EM) | 50w-150w SON | 10 | 55 |
| Electronic | 42w-57w TRT | 9.5 | 40 |
| Electronic | 70w TRT | 10 | 35 |
| Electronic/CosmoPolis | 45w | 10 | 65 |
| Electronic/CosmoPolis | 60w | 10 | 60 |
| Electronic/CosmoPolis | 90w | 10 | 45 |
| Electronic/CosmoPolis | 140w | 10 | 35 |

* Weight is for .PT post mounting for .SE1 side entry -0.35kg. ** Without Nema socket. Contact Holophane for TA with Nema.

*** Extra 1.5kg with Candelon System



ordering details : luminaire



Code

| QSS | QSS curved glass lantern | | Default lamp position | | | |
|----------------|---|--|-----------------------|-----|-----|-----|
| Code | Lamp | CG | LP | | | |
| .50XT | 50W Clear high output high pressure sodium lamp (E27) base | C2F | C3F | | | |
| .70XT | 70W Clear high output high pressure sodium lamp (E27) base | C7F | C7F | | | |
| .100XT | 100W Clear high output pressure sodium lamp (E40) base | D4F | D4F | | | |
| .150XT | 150W Clear high output pressure sodium lamp (E40) base | A4F | A3F | | | |
| .35CDMTF3 | 35W Clear ceramic metal halide lamp (G12) base | B4E | B4E | | | |
| .70CDOTT | 70W CDOTT Metal halide lamp (E27) base | D6F | SA1 | | | |
| .100CDOTT | 100W CDOTT Metal halide lamp (E40) base | C2F | C2F | | | |
| .150CDOTT | 150W CDOTT Metal halide lamp (E40) base | D4F | D4F | | | |
| .42TRT | 42W Triple tube 4000K compact fluorescent 4 pin lamp (Gx24q-4) base* | C4F | C4F | | | |
| .57TRT | 57W Quadruple tube 4000K compact fluorescent 4 pin lamp (Gx24q-5) base* | C4C | C3C | | | |
| .70TRT | 70W Quadruple tube 4000K compact fluorescent 4 pin lamp (Gx24q-6) base* | C4C | SA1 | | | |
| .45CW | 45W CosmoPolis lamp (PGZ12) base* | B5A | B5A | | | |
| .60CW | 60W CosmoPolis lamp (PGZ12) base* | E8A | E8A | | | |
| .90CW | 90W CosmoPolis lamp (PGZ12) base* | D2A | D2A | | | |
| .140CW | 140W CosmoPolis lamp (PGZ12) base* | D2A | D2A | | | |
| .60CWLS6 | 60W CosmoLumistep 6 hour* | TBC | TBC | | | |
| | Code | Mounting (Factory Fitted) | | | | |
| | .PT | 60mm or 76mm post top entry | | | | |
| | .SE1 | 34mm or 42mm side entry (min spigot length 100mm) | | | | |
| | Code | Finish (Top Canopy Only) | | | | |
| | .C6 | Grey (RAL 7035) | | | | |
| | .C7 | Black (RAL 9005) | | | | |
| | .RAL**** | RAL colour (customer choice)*** | | | | |
| | Code | Options | | | | |
| | .EH | HID Electronic gear (Harvard) | | | | |
| | .EZ | HID Electronic gear (Zodion Zeba C) | | | | |
| | .EM | HID Electronic gear (Metrolight) | | | | |
| | .ES | HID Electronic gear (SELC inclusive of miniature photocell PECU)** | | | | |
| | .ESM | HID Electronic gear (SELC electronic monitoring inclusive of miniature photocell PECU)** | | | | |
| | .LP | Low profile polycarbonate bowl (replaces CG as standard) | | | | |
| | .U107 | Macrolon vandal resistant cover (U107) | | | | |
| | .T1 | Complete with NEMA socket (To accept NEMA photocell) | | | | |
| | .TMR | Complete with 70lux miniature factory fitted photocell (Royce Thompson Micro-Star Ultra 70lux) | | | | |
| | .TSC | Complete with 70lux miniature factory fitted photocell (SELC 849/2P) | | | | |
| | .TSZ | Complete with 100lux miniature factory fitted photocell (Zodion SS12) | | | | |
| | .TSZA | Complete with 55lux miniature factory fitted photocell (Zodion SS12A) | | | | |
| | .FS12 | 12m of flat twin & earth 2.5mm ² (max length catered for) | | | | |
| | .FF12 | 12m of 1.5mm ² 3 core cable flex (max length catered for) | | | | |
| | Code | Lamp option | | | | |
| | .LL | Lamp not included as standard | | | | |
| Example | QSS | .50XT | .PT | .C6 | .EH | .LL |

* Supplied as standard with electronic gear. *Not available with .EH, .EZ, .EM, .ES, .ESM HID electronic gear options.** Not available with .TMR, .TSC, .TSZ, .TSZA & .T1 (Miniature photocell or NEMA socket). ***Please specify RAL colour reference. Note: Luminaires are supplied as standard for use on 240V 50Hz supply less lamp. For 230V 50Hz add prefix 'N'. Other voltages available on request.

luminaire accessories

order separately for on-site installation by others

Code

| | |
|-----------------|--------------------------|
| HEL.NEMA | Holophane NEMA photocell |
|-----------------|--------------------------|

spares**Code**

| | |
|---------------|---|
| QSS.CG | Complete spare reflector & curved glass enclosure |
|---------------|---|

| | |
|---------------|---|
| QSS.LP | Complete spare reflector & low profile polycarbonate bowl enclosure |
|---------------|---|

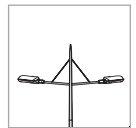


ordering details : columns & brackets

**Code**

| | |
|-------|---|
| QSSB | Street Lighting Tubular Base Compartment Column |
| QSSC | Street Lighting Steel Conical Column |
| QSSAC | Street Lighting Aluminium Conical Column |
| QSSMH | Street Lighting Steel Mid Hinged Column |

for decorative
columns see
page 13.1



| Code | Luminaire Mounting Height |
|--|---|
| .5 | 5 metres |
| .6 | 6 metres |
| .8 | 8 metres |
| .10 | 10 metres |
| .12 | 12 metres*** |
| Code | Column Category |
| .LMZ | For light & medium area wind zones (EN40 rationalised wind zones) |
| .HVZ | For heavy area wind zones (EN40 rationalised wind zones) |
| .HEZ | For extra heavy wind zones (EN40 rationalised wind zones) |
| Code | Brackets |
| .1A | Single Head |
| .2A | Twin Head |
| Code | Bracket Type |
| .PT76 | 76mm post top mounting (not with .2A) |
| .SA42 | Side arm bracket suitable for 42mm entry |
| .SA425 | 5° tilt side arm bracket suitable for 42mm entry |
| Code | Colour |
| .C6 | Grey (RAL 7035) |
| .C7 | Black (RAL 9005) |
| .RAL**** | RAL Colour (customer choice)* |
| Code | Optional Base Type |
| please refer to page 13.10 for details, base is dependant on height and type of column | |
| .FB1 | Flange Base |
| .FB2 | Flange Base |
| .FB3 | Flange Base |
| Code | Optional Column Finish |
| .P1 | Black undercoat primed |
| .P2 | Undercoat primed to match RAL colour specified |
| Code | Paint Finish** |
| .C | Enhanced paint Finish |

Example

| | | | | | | | | |
|------|----|------|-----|-------|-----|------|-----|----|
| QSSB | .5 | .LMZ | .1A | .PT76 | .C6 | .FB1 | .P1 | .C |
|------|----|------|-----|-------|-----|------|-----|----|

*Please specify RAL colour reference.**option paint finish bracket only. *** not available for mid hinged, conical or aluminium columns.
Note: mid hinged Columns are not available for 10m.

column accessories

order separately for on-site installation by others

| Code | Tubular Base compartment column (QSSB) |
|-------------|---|
| HELB.FS1 | J-Anchor bolts for Flange Base, 5m |
| HELB.FS2 | J-Anchor bolts for Flange Base, 6m-8m |
| HELB.FS3 | J-Anchor bolts for Flange Base, 10m-12m |
| HEL.CBEPAC | Cut Out Box and Earth Plate for Armoured Cable (please contact Holophane for details) |

| Code | Mid-hinged column (QSSMH) |
|-------------|---|
| HELMH.FS1 | J-Anchor bolts for Flange Base, 5m |
| HELMH.FS2 | J-Anchor bolts for Flange Base, 6m-8m |
| HEL.CBEPAC | Cut Out Box and Earth Plate for Armoured Cable (please contact Holophane for details) |
| .RLR4 | Raise and Lower rope 5m |
| .RLR6 | Raise and Lower rope 6m |
| .RLR8 | Raise and Lower rope 8m |

| Code | Conical Steel column (QSSC) |
|-------------|---|
| HELC.FS1 | J-Anchor bolts for Flange Base, 5m |
| HELC.FS2 | J-Anchor bolts for Flange Base, 6m-8m |
| HELC.FS3 | J-Anchor bolts for Flange Base, 10m |
| HEL.CBEPAC | Cut Out Box and Earth Plate for Armoured Cable (please contact Holophane for details) |

| Code | Aluminium Conical column (QSSAC) |
|-------------|---|
| HELAC.FS1 | J-Anchor bolts for Flange Base, 5m |
| HELAC.FS2 | J-Anchor bolts for Flange Base, 6m-10m |
| HEL.CBEPAC | Cut Out Box and Earth Plate for Armoured Cable (please contact Holophane for details) |

Conical Aluminium Columns (QSSAC). Flange Plate and J-Bolt Data to be confirmed upon placement of order