



HOLOPHANE®

An **Acuity** Brands Company



ratio







ratio







Ratio is a contemporary styled post top luminaire manufactured from fully cast aluminium housing that supports 48 LEDs (Light Emitting Diodes) engineered to produce illumination equivalent to a traditional 150 watt metal halide lamp.

Its stylistic and ultra thin “finned” design serves both as an architectural statement and thermal heat sink for the LEDs. Optical control is achieved through the marriage of individual refractors influencing each LED independently. The driver module is conveniently mounted at the base of the column for maximum thermal management. Ratio is available as a complete lighting solution with bespoke Holophane conical steel and conical aluminium columns.

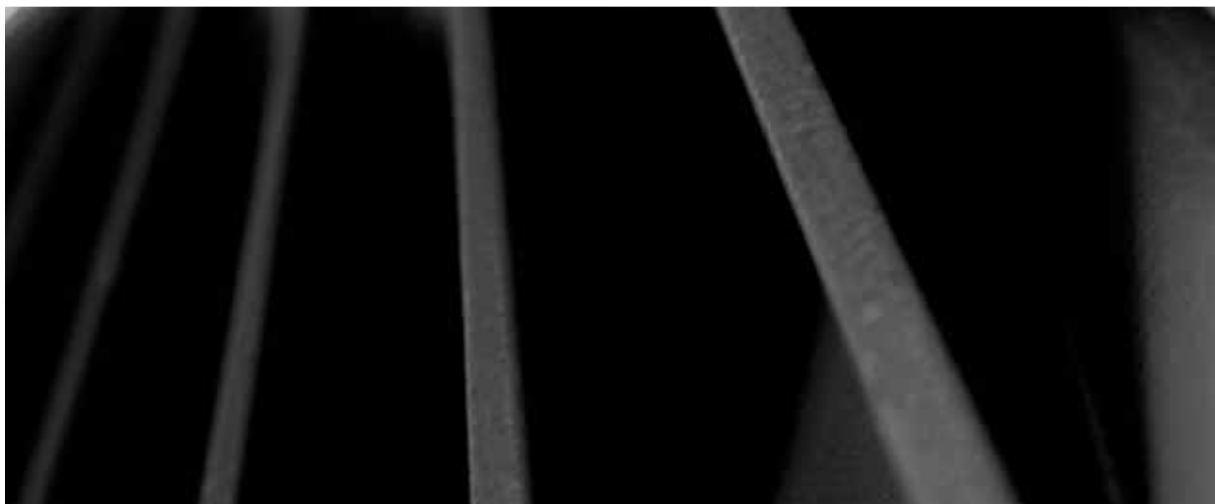
optics / light source

- > Individual clear acrylic optical lenses providing symmetrical or asymmetrical distributions
- > 48 Philips Lumileds LEDs delivering 7,000 lumens total light output of luminaire
- > Correlated colour temperature (CCT) of luminaire is 6500K
- > 50,000 hours life at 1000mA with 70% lumen maintenance achieved
- > 197 watts
- > LEDs x 4.1w per LED

approvals

TA -30° to +30°

For further information please visit the Holophane website



weight

Code

Ratio 20.4kg

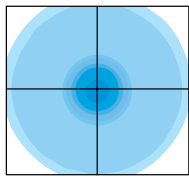
windage

Code

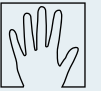
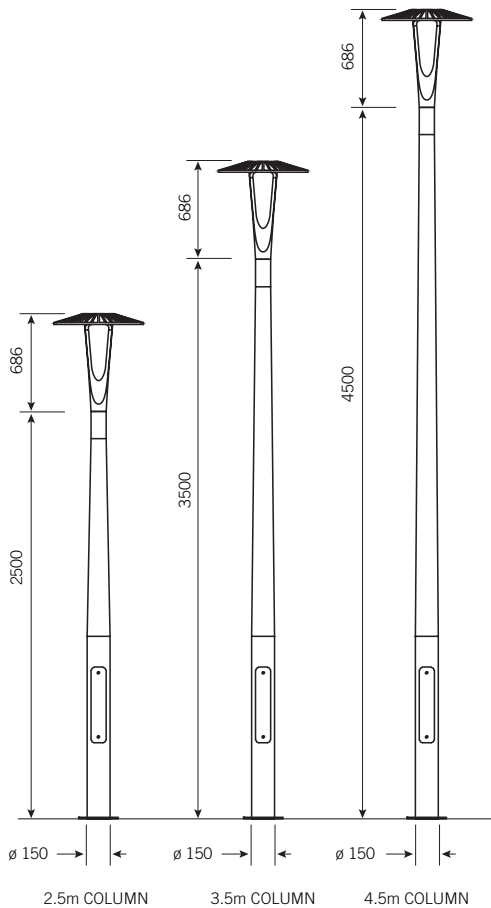
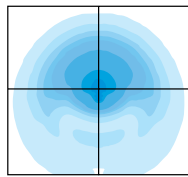
Ratio 0.09m²

light distribution

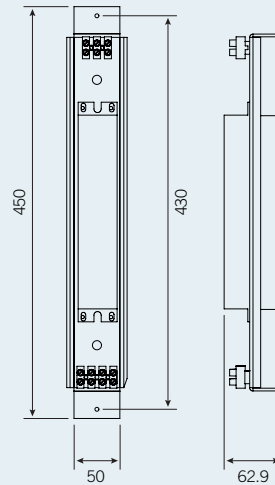
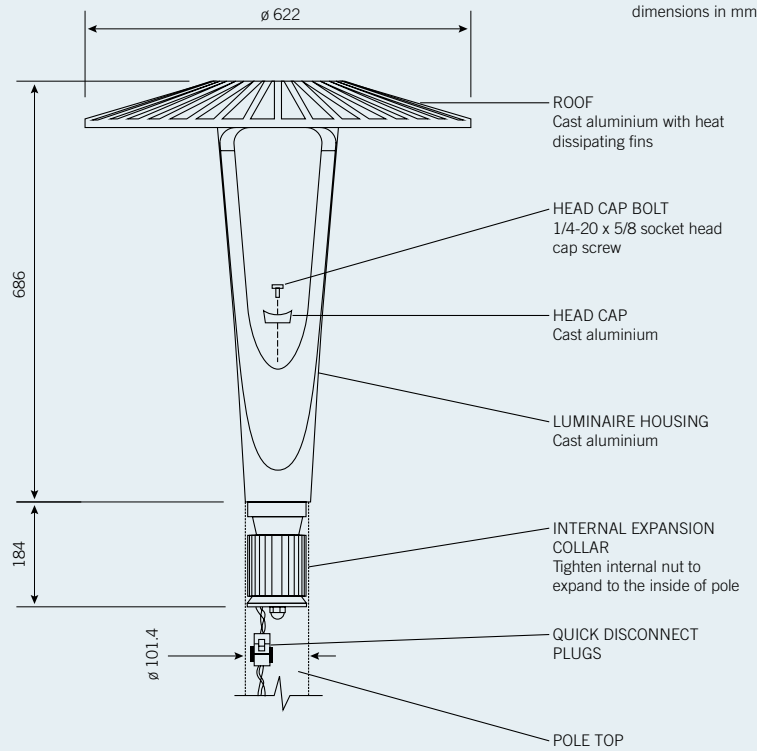
Symmetric



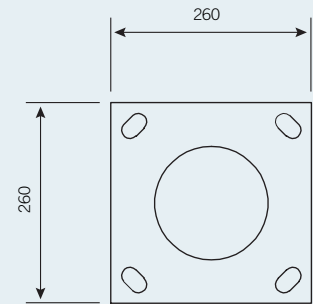
Asymmetric



dimensions in mm



GEAR TRAY
(MOUNTED IN COLUMN BASE)



FLANGE PLATE DETAIL

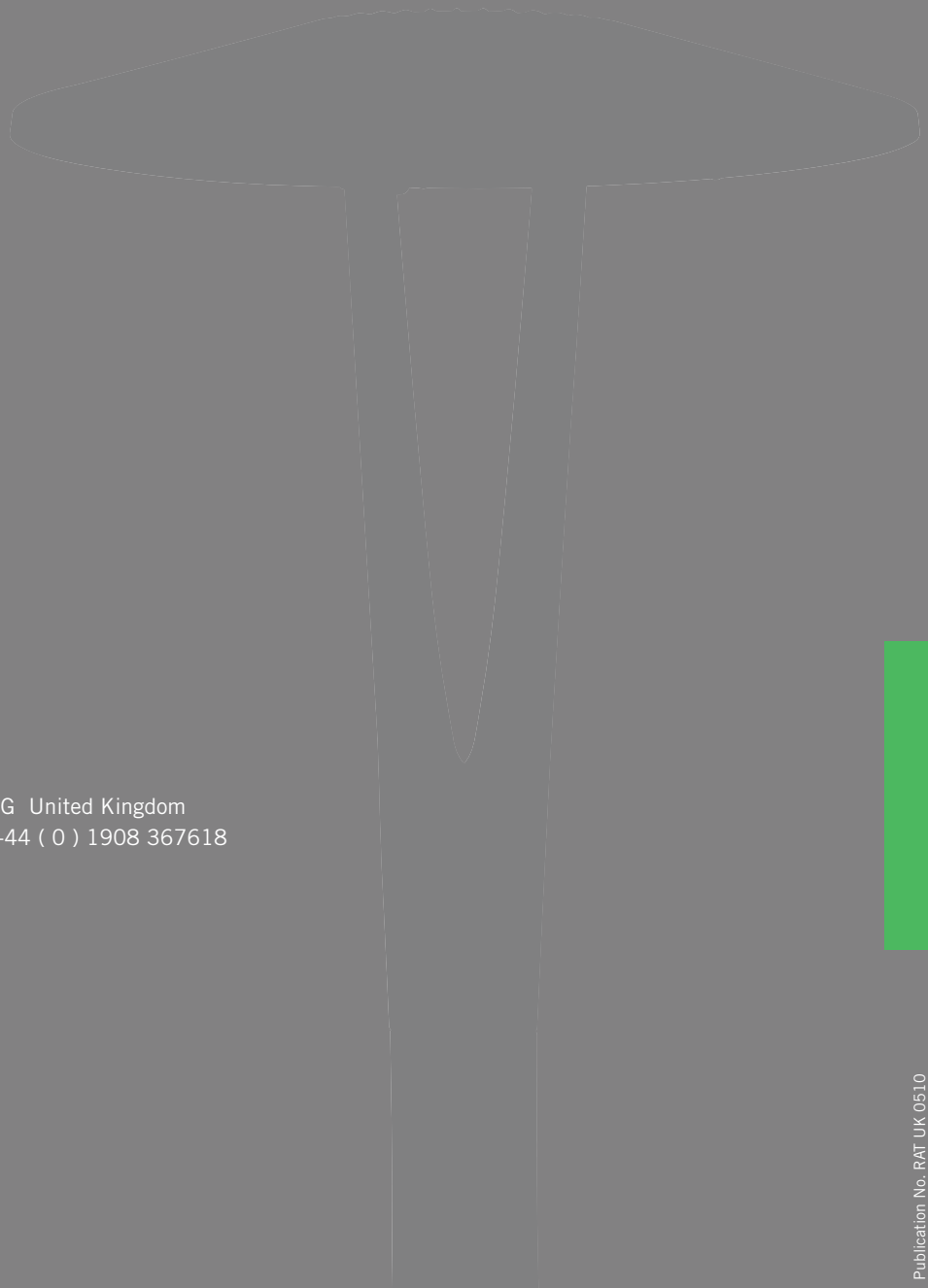
ordering details

To find out more
please visit
www.holophane.co.uk

Code	
RTO	Ratio
Code	Lamp Type (required)
.48WWH	48 x 4.1w LEDs
Code	Optics (required)
.AY	Asymmetric Distribution
.SY	Symmetrical Light Distribution
Code	Colour (required)
.C7	Black (RAL 9005)
.C9	Metallic Silver (RAL 9006)
.RAL****	RAL Colour (customer choice)
Code	Fixing Method (required)
.76AD	76mm Adapter Mounting (luminaire only, for retrofit only)
.COS	Conical Steel Column (suitable for all EN40 wind zones)
.COA	Conical Aluminium Column (suitable for all EN40 wind zones)
Code	Height (required if COS or COA selected)
.3	3 metre (to optical centre)
.4	4 metre (to optical centre)
.5	5 metre (to optical centre)
Code	Brackets (required)
.1A	Single Head
Code	Column Category (required if COS or COA selected)
.LMZ	For light and medium area wind zones
.HVZ	For heavy area wind zones
.HEZ	For extra heavy area wind zones
Code	Options
	Fixing Method
.FB1	Flange Base
	Column Finish
.3T2	top coat to match specified luminaire colour if required
.4T2	top coat to match specified luminaire colour if required
.5T2	top coat to match specified luminaire colour if required
Example	RTO .48WWH .AY .C7 .COS .3 .1A .LMZ .FB1

luminaire accessories

Code	
HEL.CBEPAC1	Cut out box and earth plate for armoured cable
HELB.FS1	M18 x 400 J-Anchor bolts for flange base 3m - 5m (aluminium and steel columns)



ratio

Holophane Europe Limited
Bond Avenue, Bletchley, Milton Keynes MK1 1JG United Kingdom
Telephone: +44 (0) 1908 649292 UK Fax: +44 (0) 1908 367618
International Fax: +44 (0) 1908 272029
E-mail: info@holophane.co.uk

www.holophane.co.uk



HOLOPHANE[®]

An **Acuity** Brands Company

