

## seattle™

## applications

- Area floodlighting
- Building facades
- Car parks
- Security
- Service yards
- Sports facilities
- Retail parks

The Seattle™ floodlight luminaire combines functionality with style. Its contemporary styling and durable construction coupled with a choice of optical arrangements ensure its suitability for a wide range of applications. Precisely controlled light distributions offer maximum efficiency for any application whilst reducing light pollution, spillage and glare. Further flexibility is added through a choice of mounting arrangements, colours and accessories. Street lighting versions of Seattle™ are also available. Please refer to the Holophane street and tunnel lighting brochure for details.





**specification**

The luminaire shall consist of a two-piece die-cast aluminium body and door frame with a maximum depth of 190mm, housing all integral control gear for a variety of high intensity discharge lamps. The body and door frame shall be hinged and sealed together by a closed-cell silicon gasket and secured by a single tool-free latch, ensuring an IP rating of 667. The optical assembly shall consist of a specular aluminium reflector and fully tempered clear front glass sealed to the door frame. The luminaire complies with EN60598 and be mounted by means of a spigot adaptor or stirrup bracket for variable mounting orientations. A range of bracketry and columns is available with a wide choice of options and accessories.

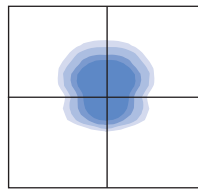
**windage**

**Code**

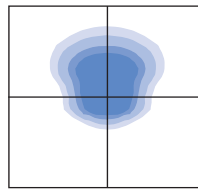
Seattle	0.113m <sup>2</sup>
---------	---------------------

**light distributions**

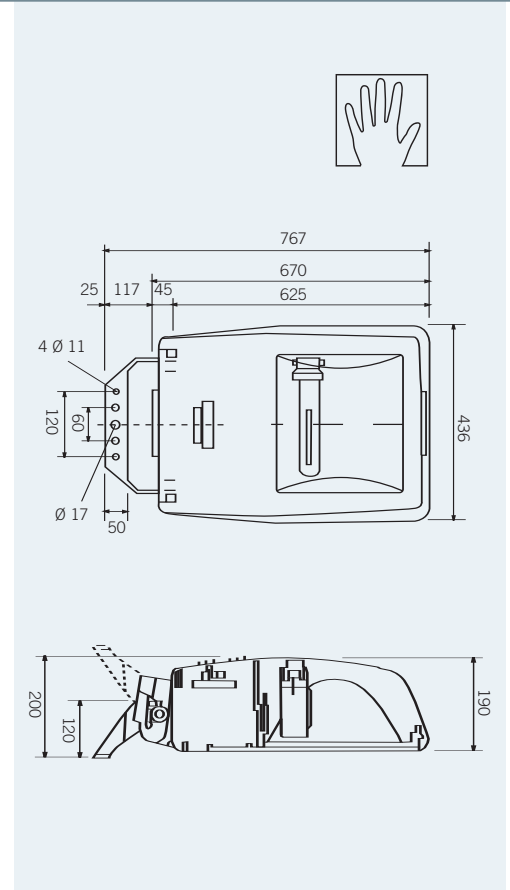
Asymmetric 42°



Asymmetric 60°



Photometric data is available at [www.holophane.co.uk](http://www.holophane.co.uk)

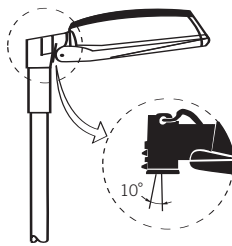


**weights & thermal data**

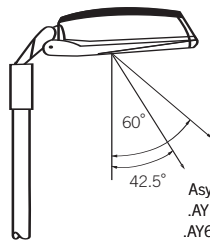
Lamp Type	Weight (kg)	Min Operating Temperature (°C)	Max Ambient Temperature (°C)*
100W, 150W High Pressure Sodium	16	-30	40
250W, 400W High Pressure Sodium	17.5	-30	40
600W High Pressure Sodium	20	-30	40
250W, 400W Metal Halide	20	-20	40

\*The maximum ambient temperatures stated are for exterior use only. For interior use deduct 10°C from the temperature stated

mounting arrangements

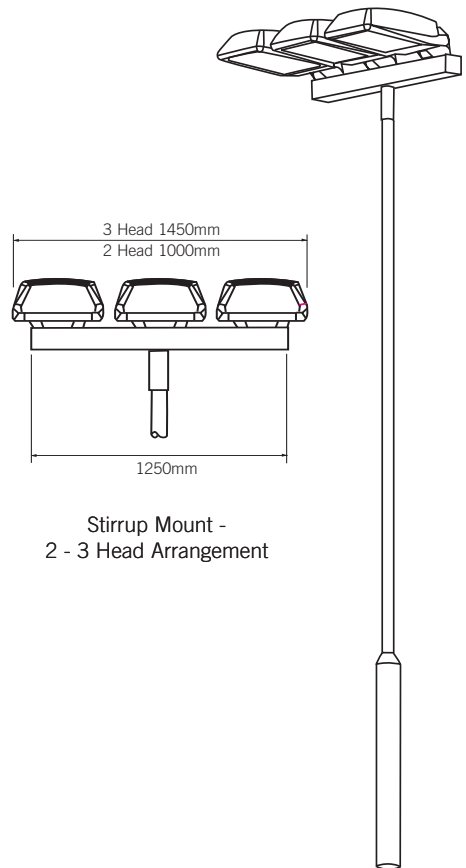


Spigot Mounting - (.60 or .76)  
Single Head Arrangement



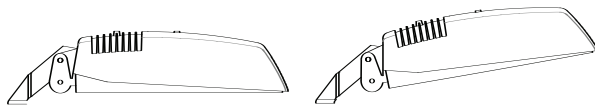
Stirrup Mounting -  
Single Head Arrangement

Asymmetric Distribution -  
.AY Peak Intensity - 42.5°  
.AY60 Peak Intensity - 60°

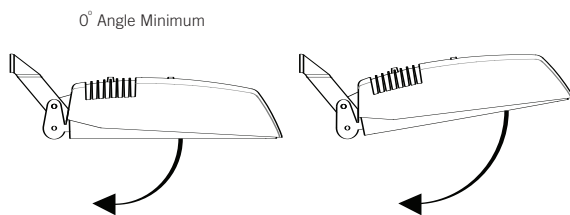


Stirrup Mount -  
2 - 3 Head Arrangement

stirrup



Column Mount



Wall Mount

Both Wall mount versions can be  
angled downwards by up to 90°.



## ordering details : luminaire

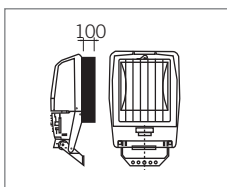
Code	
SLF	Seattle
Code	Lamp Type
.100XT	100W Clear high output HPS lamp (E40) base
.150XT	150W Clear high output HPS lamp (E40) base
.250XT	250W Clear high output HPS lamp (E40) base
.400XT	400W Clear high output HPS lamp (E40) base
.600XT	600W Clear high output HPS lamp (E40) base
.250CDMT3	250W Clear CDM-T3000K ceramic metal halide lamp (E40) base
.400CDMT3	400W Clear CDM-T3000K ceramic metal halide lamp (E40) base
.250HTPS	250W Clear 4000°K Quartz Metal Halide (E40 positional base)
.400HTPS	400W Clear 4000°K Quartz Metal Halide (E40 positional base)
Code	Light Distribution
.AY	Asymmetric distribution (42° peak beam)
.AY60	Asymmetric distribution (60° peak beam)
Code	Bracketry
.GS	Galvanised steel stirrup
.60	60mm Ø Post top spigot
.76	76mm Ø Post top spigot
Code	Colour
.C4	Graphite (RAL 7011)
.C6	Grey (RAL 7035)
.C7	Black (RAL 9005)
.C9	Metallic Silver (RAL 9006)
.RAL****	RAL colour (customer choice)**
Code	Options
.JB	IP 66 Junction box c/w M20 gland*
.SW	Junction box housing capacitor and ignitor separate from the lamp and ballast for swimming pool locations
Example	SLF .100XT .AY .GS .C9 .JB

\* Only available with .GS mounting. \*\*Please specify RAL colour reference Note: Luminaires are supplied as standard for use on 240V 50Hz supply and complete with lamp. For 230V 50Hz add prefix 'N' Other voltages available on request. Timed ignitors available on request.

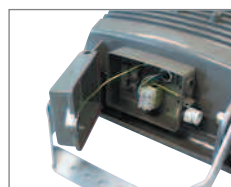
## luminaire accessories

order separately for on site installation by others

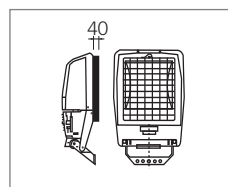
Code	
SLF.VRG	Steel Vandal Resistant Guard (Black)
SLF.AGL	Anodised Aluminium Anti-Glare Louvre (Black)



SLF.AGL  
Anti-glare louvre



.JB Optional Junction Box -  
accepts 2 x M20 cable  
glands



SLF.VRG  
Vandal resistant guard

## ordering details : columns &amp; brackets

Code								
SLFB	Seattle Flood Tubular Base Compartment Column							
SLFC	Seattle Flood Conical Steel Column							
SLFMH	Seattle Flood Conical Steel Mid Hinged Column							
Code	Luminaire Mounting Height							
.6	6 metres							
.8	8 metres							
.10	10 metres†							
.12	12 metres†							
Code	Column Category for column category please refer to page 11.7 for details							
.LMZ	Medium column for terrain category 3 & 4 as per EN40							
.HVZ	Heavy column for terrain category 2 as per EN40							
.HEZ	Extra heavy column for terrain category 1 as per EN40							
Code	No. of Luminaires							
.1A	Single Head							
.2A	Twin Head†							
.3A	Three Head†							
.4A	Four Head†							
Code	Suspension							
.76	76mm O/D post top spigot (only for .1A and .2A)							
.GS	Galvanised steel stirrup							
Code	Bracket Colour							
.C1	White (RAL 9016)							
.C4	Graphite (RAL 7011)							
.C6	Grey (RAL 7035)							
.C7	Black (RAL 9005)							
.C9	Metallic Silver (RAL 9006)							
.RAL ****	RAL colour*							
Code	Optional Base Type please refer to page 12.1 for details, base is dependant on height and type of column							
.FB1	Flange base							
.FB2	Flange base							
.FB3	Flange base							
Code	Optional Paint							
.C	Enhanced paint finish††							
.P1	Black undercoat primed							
.P2	Undercoat primed**							
<b>Example</b>	SLFB	.6	.LMZ	.1A	.76	.C9	.FB1	.P1

\*Please specify RAL colour reference. \*\*Match RAL colour specific. † Not with SLFMH. †† Bracket only

## columns &amp; brackets accessories

order separately for on site installation by others

Code	Steel Conical Column (SLFC)	Code	Conical Steel Mid Hinged (SLFMH)
HEL.C.FS2	J-Anchor bolt for flange base (6-8m)	HELMH.FS2	J-Anchor bolt for flange base (6-8m)
HEL.C.FS3	J-Anchor bolt for flange base (10m)	HEL.CBEPAC	Cut Out Box and Earth Plate for Armoured Cable*
HEL.CBEPAC	Cut Out Box and Earth Plate for Armoured Cable*	.RLR6	Raise lower rope (6m)
		.RLR8	Raise lower rope (8m)

Code	Tubular Base Compartment Column (SLFB)
HELB.FS2	J-Anchor bolt for flange base (6-8m)
HELB.FS3	J-Anchor bolt for flange base (10-12m)
HEL.CBEPAC	Cut Out Box and Earth Plate for Armoured Cable*

\*please contact Holophane for details



Standard - Single M20 Cable Entry



.60 or .76 Post Top Spigot