

vista™ grande

applications

- Car parks
- Amenity areas
- Town squares
- Retail parks

Vista™ Grande complements the original Vista™ luminaire, combining a sleek contemporary design with exceptional technical performance. Combined with its complementary range of columns and brackets, Vista™ Grande achieves dramatic night-time effects whilst enhancing the daytime appearance of the built environment in a variety of applications. Superb light control ensures light pollution is limited. Compliance with Night time friendly criteria combines with energy efficiency to meet the most demanding of specifications.



features and benefits

Unique streamlined style

- > Unique aesthetic appeal to complement today's architecture

Solid aluminium construction

- > Durability and strength

Minimal upward light

- > Night time friendly

Symmetric or asymmetric distribution

- > Maximum efficiency for any application

Single or twin mounting options

- > Flexibility for different types of application

Easy access to lamp and gear tray

- > Easy maintenance

Holophane designed segmented optical system

- > Proven performance

lamp types included

400W - 450W metal halide (various)

400W - 600W high pressure sodium

IP rating

IP65 

approvals

Complies with EN60598

CE



specification

The luminaire shall consist of a shallow profile polycarbonate bowl fixed to a spun aluminium canopy. The body shall house integral control gear to suit a wide range of high intensity discharge lamps. The specular segmented optic produces either an asymmetric or symmetric distribution. The canopy and bowl shall be sealed by a silicone gasket ensuring IP65. The luminaire complies with EN60598, with a wide range of complementary brackets and columns.

windage

Code

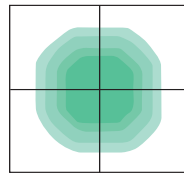
Vista Grande 0.36m²



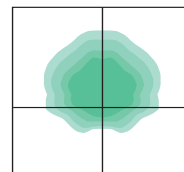
High downward light output ratio - 83%
Low upward light output ratio - >1%

light distributions

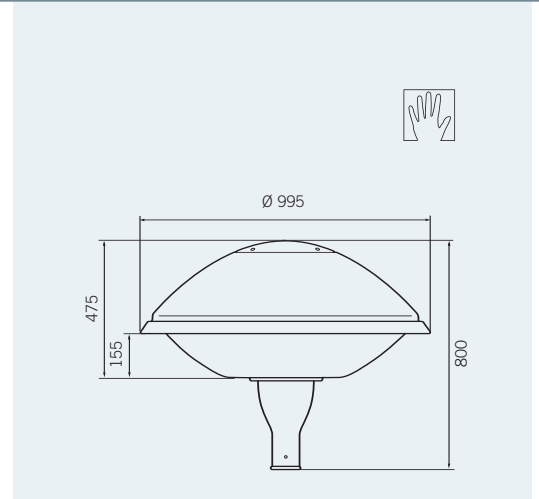
Square (.HS)



Asymmetric (.HA)



Photometric data is available at www.holophane.co.uk



Easy access for lamp replacement and maintenance.

weights & thermal data

Lamp Type	Weight (kg)	Min. Operating Temperature (°C)	Max. Ambient* Temperature (°C)
400W High Pressure Sodium	19.5	-30	45
600W High Pressure Sodium	13.5**	-30	40
400W Metal Halide	19.5	-20	40
450W Metal Halide	17	-20	30

*The maximum ambient temperatures stated are for exterior use only. For interior use deduct 10°C from the temperature stated. **600W version has loose remote control gear as standard.



ordering details : luminaire



Code

VSG	Vista Grande					
	Code	Lamp Type				
	.400XT	400W Clear high output HPS lamp (E40) base				
	.600XT	600W Clear high output HPS lamp (E40) base (with Remote Gear as Standard)				
	.400CDMT3	400W Clear 3000K ceramic metal halide lamp (E40) base				
	.400HTPSP	400W Clear 4000K protected pulse start metal halide lamp (E40) base				
	.450HTVP	450W Clear 4000K protected metal halide lamp (E40) base				
	Code	Light Distribution				
	.HA	High beam asymmetric distribution				
	.HS	High beam square distribution				
	Code	Enclosure Type				
	.ER	Ellipse with brim				
	Code	Colour				
	.C1	White (RAL 9016)				
	.C4	Graphite (RAL 7011)				
	.C6	Grey (RAL 7035)				
	.C7	Black (RAL 9005)				
	.C9	Metallic Silver (RAL 9006)				
	.RAL****	RAL Colour (Customer Choice)*				
	Code	Options				
	.T	Photocell				
	.R1	Remote gear (Standard with 600XT Version).				
	.C	Enhanced paint finish				
Example	VSG	.400XT	.HA	.ER	.C9	.T

*Please specify RAL colour reference. Note: Luminaires are supplied as standard for use on 240V 50Hz supply and complete with lamp. For 230V 50Hz add prefix 'N'. Other voltages available on request, timed ignitors as specials available on request. Note: Maximum distance between remote control gear and lamp is 20m. The cable must have a load capacitance of approx. 75pF/m or less.



ordering details : columns & brackets

Code								
VSGB	Vista Grande tubular base compartment column							
VSGC	Vista Grande steel conical column							
Code	Luminaire Mounting Height							
.8	8 metres							
.10	10 metres							
.12	12 metres*							
Code	Column Category please refer to page 24.15 for definition of the EN40 guidelines							
.LMZ	For light & medium area wind zones (EN40 rationalised wind zones)							
.HVZ	For heavy area wind zones (EN40 rationalised wind zones)							
.HEZ	For extra heavy wind zones (EN40 rationalised wind zones)							
Code	Brackets							
.1A	Single head							
.2A	Twin head*							
Code	Colour							
.C1	White (RAL 9016)							
.C4	Graphite (RAL 7011)							
.C6	Grey (RAL 7035)							
.C7	Black (RAL 9005)							
.C9	Metallic Silver (RAL 9006)							
.RAL****	RAL Colour (customer choice)**							
Code	Optional Base Type please refer to page 24.1 for details, base is dependant on height and type of column							
.FB2	Flange base							
.FB3	Flange base							
Code	Optional Column Finish							
.P1	Black undercoat primed							
.P2	Undercoat primed to match RAL colour specified							
Code	Optional Paint Finish (Bracket Only)							
.C	Enhanced paint finish							
Example	VSGB	.8	.LMZ	.1A	.C1	.FB2	.P1	.C

*not available for VSGC. **Please specify RAL colour reference.

column accessories

Code	Tubular Compartment Columns (VSGB)
HELB.FS2	J-Anchor Bolts for Flange Base, 8m
HELB.FS3	J-Anchor Bolts for Flange Base, 10m to 12m
HEL.CBEPAC	Cut Out Box and Earth Plate for Armoured Cable*

Code	Conical Steel Columns (VSGC)
HELC.FS2	J-Anchor Bolts for Flange Base, 8m
HELC.FS3	J-Anchor Bolts for Flange Base, 10m
HEL.CBEPAC	Cut Out Box and Earth Plate for Armoured Cable*

*please contact Holophane for details