

wallpack®

applications

- Car parks
- Loading bays
- Boiler houses
- Conveyor tunnels
- Multi-storey car parks
- Gantries

Wallpack® is a highly effective solution where vandalism, crime or dark, shadowy areas have presented a problem. A rugged, wall-mounted luminaire with a reputation for reliability and durability, Wallpack® provides economical illumination for medium-sized areas at mounting heights of 5 metres and above. The prismatic optic provides uniform surface brightness whilst directing the maximum quantity of light downwards, forwards and sideways. This makes it possible to use wider spacings than is possible with conventional luminaires, and also achieves a high uniform horizontal illuminance.



features and benefits

Rugged construction

> Durability

Prismatic performance

> Maximum efficiency & low glare

Wire guard option

> Increased vandal resistance

lamp types included

250W metal halide (various)

100W - 250W high pressure sodium

500W tungsten halogen

IP rating

IP65 

approvals

Complies with EN60598

CE

 17

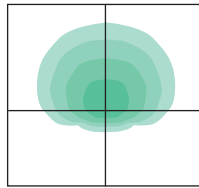




specification

The luminaire shall consist of a two piece die-cast aluminium body, housing integral control gear to suit a wide choice of high intensity discharge lamps. The optical assembly shall consist of a precisely contoured aluminium reflector and a moulded borosilicate prismatic glass refractor sealed in position with a high temperature sealant. The luminaire shall have a detachable halfhinged door secured to the back casting by two captive stainless steel screws located on the bottom face exerting uniform pressure on the gasket, ensuring IP65 is maintained. The luminaire is suitable for pole or wall mount and complies with EN60598, with a wide choice of options and accessories.

light distributions

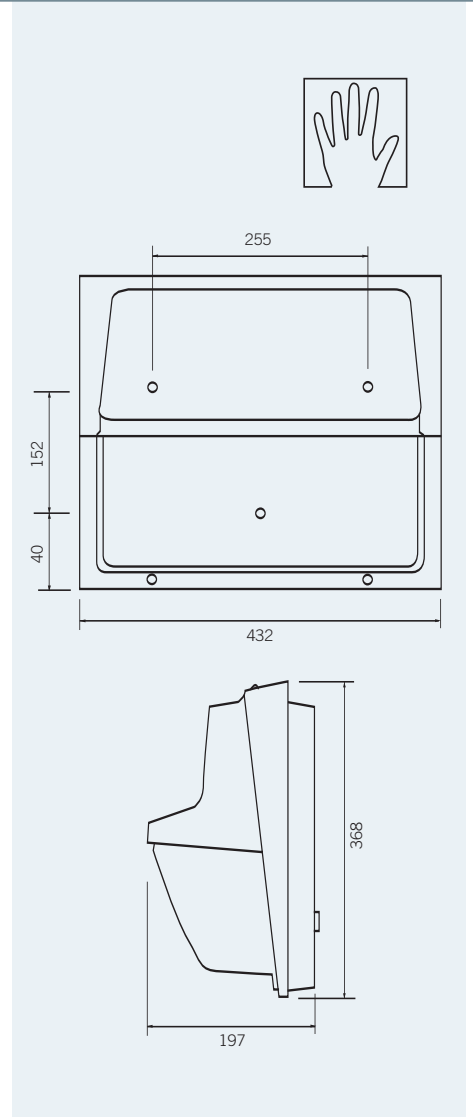


Photometric data is available at www.holophane.co.uk

weights & thermal data

Lamp Type	Weight (kg)	Minimum Operating Temperature (°C)	Maximum Ambient* Temperature (°C)
100W High Pressure Sodium	12.5	-30	50
150W High Pressure Sodium	13.5	-30	50
250W High Pressure Sodium	14.5	-30	35
250W Metal Halide	14.5	-20	35
500W Tungsten Halogen	11.5	n/a	30

* The maximum ambient temperatures stated are for exterior use only. For interior use deduct 10°C from the temperature stated.





ordering details : luminaire

Code

WAL	Wallpack			
	Code	Lamp Type		
	.100XT	100W Clear high output HPS lamp (E40) base		
	.150XT	150W Clear high output HPS lamp (E40) base		
	.250XT	250W Clear high output HPS lamp (E40) base		
	.250HDP	250W Coated 5000K protected metal halide lamp (E40) base		
	.500TH	500W Clear tungsten halogen lamp (E40) base		
		Code	Colour	
		.C1	White (RAL 9016)	
		.C4	Graphite (RAL 7011)	
		.C6	Grey (RAL 7035)	
		.C7	Black (RAL 9005)	
		.C9	Metallic Silver (RAL 9006)	
		.RAL****	RAL colour (customer choice)*	
		Code	Options	
		.C	Enhanced paint finish	
		.P	PG Entry	
		.T	Photocell (Factory Fitted)	
Example	WAL	.250HDP	.C4	.T

*Please specify RAL colour reference. Note: Luminaires are supplied as standard for use on 240V 50Hz supply and complete with lamp. For 230V 50Hz add prefix 'N' Other voltages available on request. Timed ignitors as specials available on request.

luminaire accessories

order separately for on-site installation by others

Code

WAL.TC70	Photocell (Retro-fit)
-----------------	-----------------------