

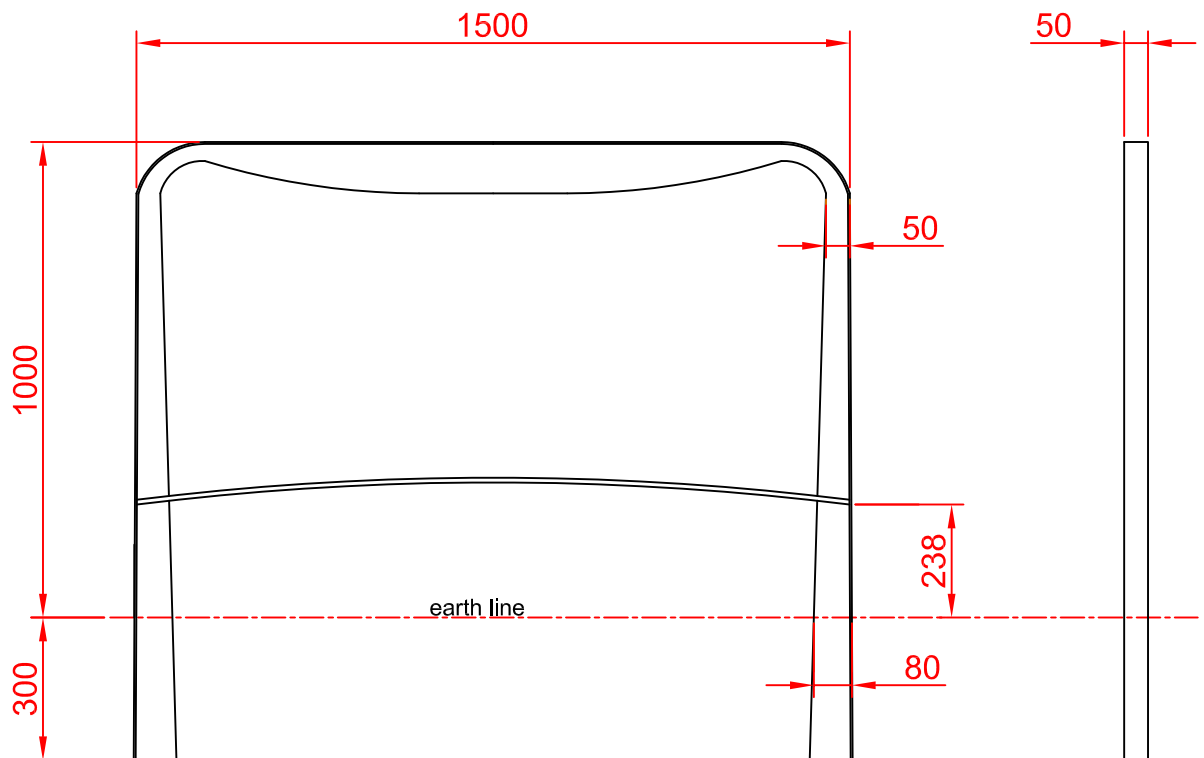
ARONA BARRIER

The Barrier conforms to:

UNI EN 10219-1/2 steel components
UNI EN 1461 galvanising

The Barrier is Laser cut to produce the distinctive arona family shape with a profiled strengthening cross member for added support 238mm above ground level.

Overall Height: 1300mm
Height above ground: 1000mm
Length: 1500mm
Width: 50mm



Certification: UNI EN ISO 9001:2000

Sch06: technical card of specifications
Revision: 01 - Date Rev. 22/10/2004 - Scale: 1:16
SCH06_ARONA BARRIER_R00.dwg

Holophane Europe Ltd
Bond Avenue, Milton Keynes, MK1 1JG, United Kingdom
Tel : +44 (0) 1908 649292 Fax : +44 (0) 1908 367618
e-mail : info@holophane.co.uk
web : www.holophane.co.uk or www.holophane.eu.com


HOLOPHANE[®]
LEADER IN LIGHTING SOLUTION