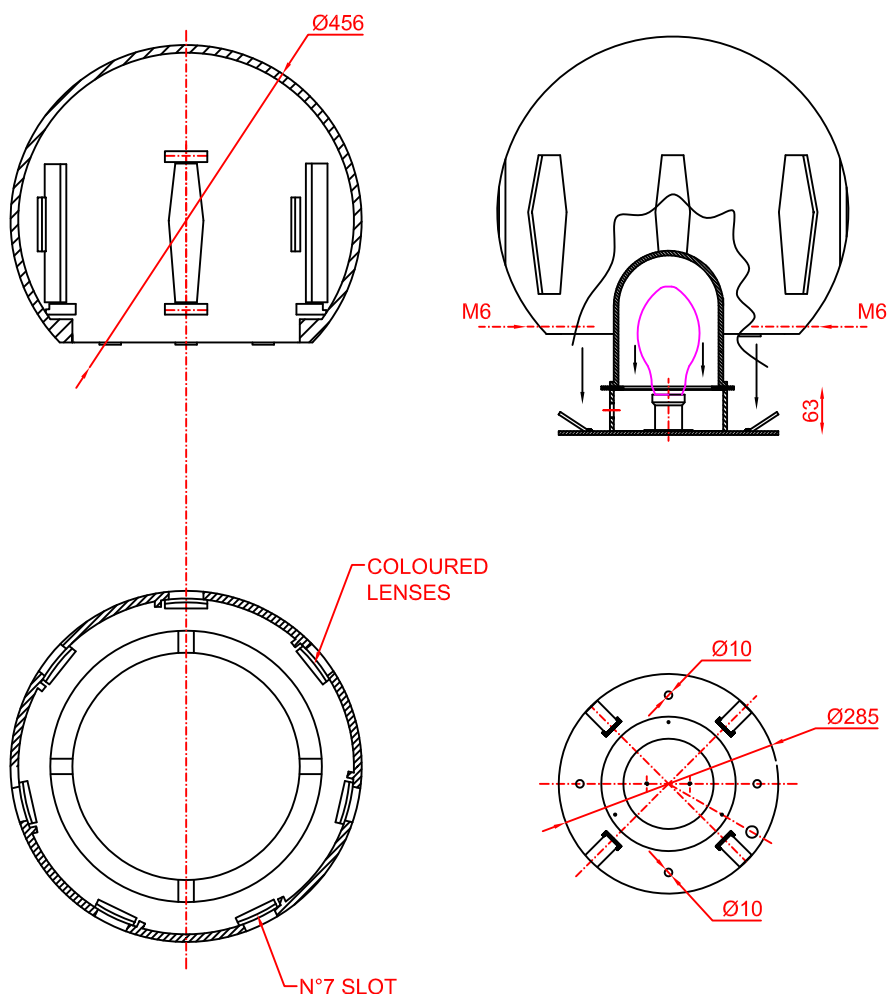


BELLI bollard

Product conforms to
UNI EN 1561 cast iron
UNI EN -GJL-200 cast iron

Round cast iron bollard of diameter 455mm and 385 height above ground with 4 slots cut into bollard around circumference to allow light to spill onto floor. These are either opaque or coloured polycarbonate to suit. The coloured lenses are fixed by concealed stainless steel screws. The bollard is fixed to ground by steel clamps.

IP	MAX TA
55	40°



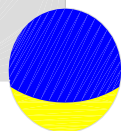
COMPACT FLUORESCENT			
23 W			
☉			
⊕			
☐			

- ⊕ Class I
- ☐ Class II

Certification: UNI EN ISO 9001:2000

SCH06: technical card of specifications
Revision: 00 Date Rev. 12/11/2004 Scale: 1:10
SCH06_BELLI bollard_R00.dwg

Holophane Europe Ltd
Bond Avenue, Milton Keynes, MK1 1JG, United Kingdom
Tel : +44 (0) 1908 649292 Fax : +44 (0) 1908 367618
e-mail : info@holophane.co.uk
web : www.holophane.co.uk or www.holophane.eu.com



HOLOPHANE
LEADER IN LIGHTING SOLUTION

GHI S A M E S T I E R I