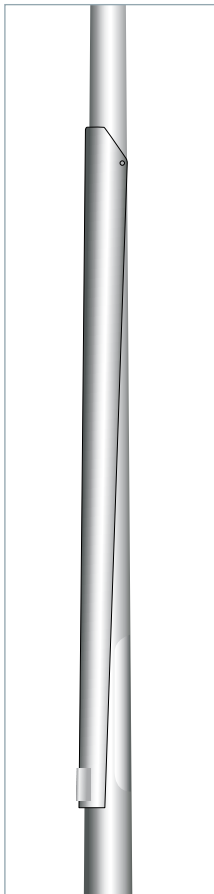
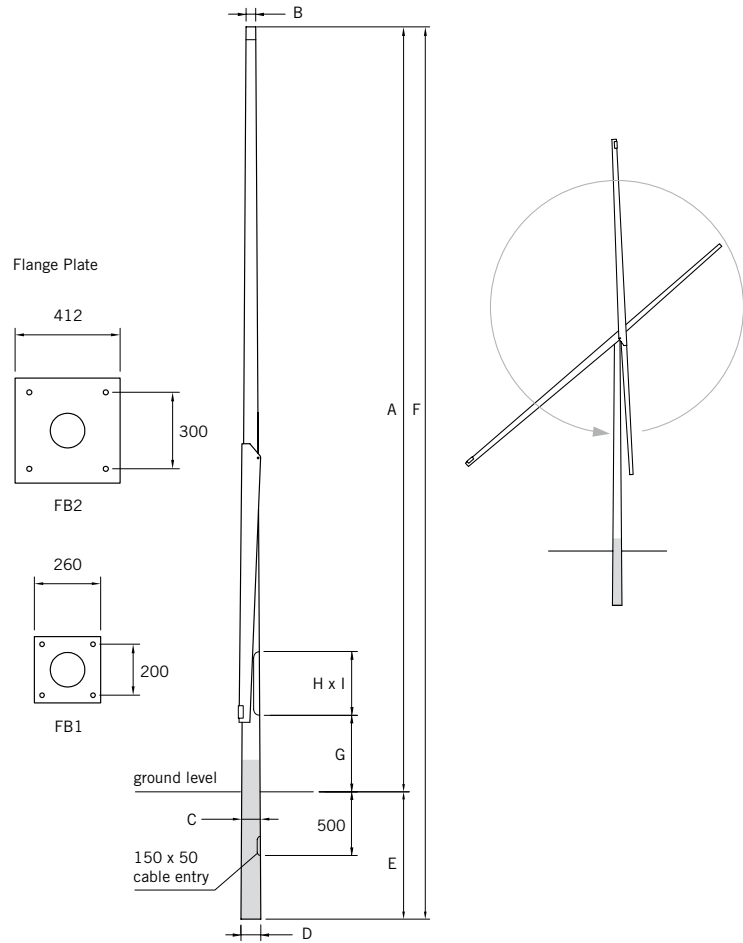


standard columns mid-hinged steel



Holophane products that are suitable

- aeris large
- aeris medium
- caribe
- chalfont
- denver pole
- dorchester
- gladiator
- grosvenor
- module 600
- parkpack
- petxina
- predator small
- predator large
- prismasphere
- QSM
- QSS
- seattle flood
- signature II
- urbandeco
- vista
- vista grande
- vista junior



Height (m)	Nominal Height	Top Diameter	Base Diameter	Root End Diameter	Planting Depth	Overall Length	Door to Ground	Door Opening Length	Door Opening Width	Weight kg*	Bending Moment Nm
drawing ref	A	B	C	D	E	F	G	H	I		
4m std	4000	76	116	137	800	4800	425	400	85	43.5	4480
4m hd	4000	76	132	144	800	4800	425	400	85	49.8	5640
5m std	5000	76	126	142	800	5800	425	400	85	53.4	5330
5m hd	5000	76	147	158	800	5800	425	400	85	63.7	6960
6m std	6000	76	136	146	1000	7000	425	400	85	68.6	6200
6m hd	6000	76	161	175	1000	7000	425	400	85	87.3	8070
8m std	8000	76	156	168	1200	9200	425	500	100	150.1	4760
8m hd	8000	76	189	206	1200	9200	425	400	85	167.65	12370
10m std	10000	76	176	193	1500	11500	425	500	100	203.24	TBC
10m hd	10000	76	217	238	1500	11500	425	TBC	TBC	218.24	TBC

* Exclusion TBC

4-5m Poles	Flange Plate FB1	Bolts	M18 x 400
6-10m Poles	Flange Plate FB2	Bolts	M24 x 500

Flange Plate and J-Bolt information will be confirmed at time of order due to the necessity in ensuring the correct plate and J-Bolts are supplied.

std = Standard **hd** = Heavy Duty

Column type to be confirmed at time of order as this is based on luminaire weight, windage and geographical location.

J-anchor bolts

For foundation detail guidance refer to Holophane. For columns supplied with optional flange base Holophane offer three types of foundation bolts.

Note: The material used for the bolts is equivalent to GR40 type steel, with yield strength 236 N/M2.

- HEL.FS1 M18 Bolts (FS1) x 350 mm long
- HEL.FS2 M24 Bolts (FS2) x 437 mm long
- HEL.FS3 M24 Bolts (FS3) x 750 mm long
- HEL.FS4 M27 Bolts (FS4) x 630 mm long

