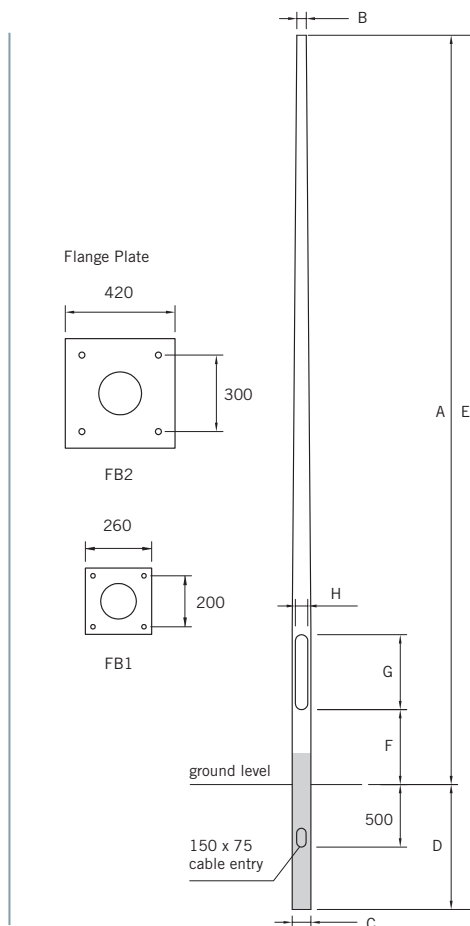
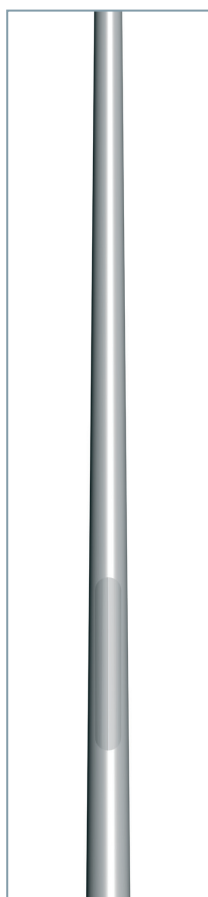


# standard columns conical aluminium



Height (m)	Nominal Height	Top Diameter	Root End Diameter	Planting Depth	Overall Length	Door to Ground	Door Opening Length	Door Opening Width	Weight kg	Bending Moment Nm
drawing ref	A	B	C	D	E	F	G	H		
<b>3m std</b>	3000	75	150	800	3800	600	600	100	15	5340
<b>4m std</b>	4000	75	150	800	4800	600	600	100	18	5070
<b>5m std</b>	5000	75	150	800	5800	600	600	100	21	4940
<b>6m std</b>	6000	75	150	1000	7000	600	600	100	25	4870
<b>8m std</b>	8000	75	165	1200	9200	600	600	100	38	6900
<b>10m std</b>	10000	75	200	1500	11500	600	600	100	72	16190

Flange based versions available via special request.