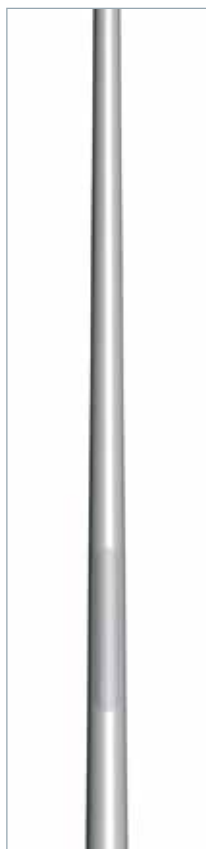
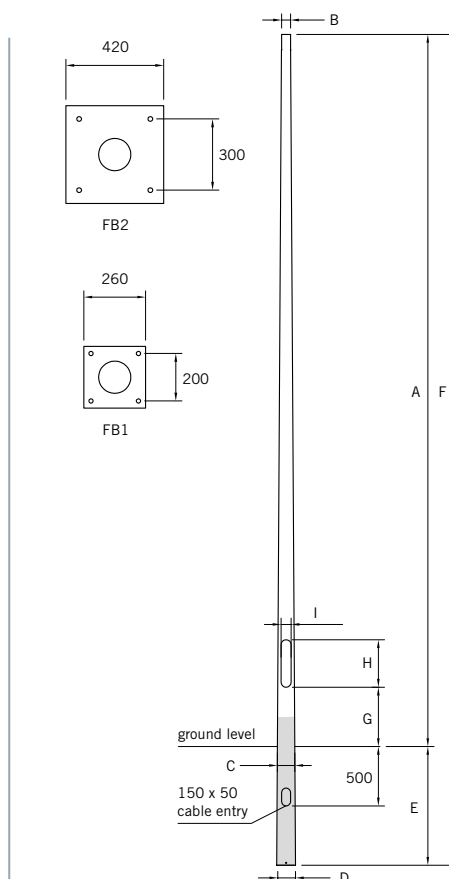


standard columns conical steel



Holophane products that are suitable

- CityMax
- D-Series
- Denver Elite Pole
- Factor
- Factor Small
- BLIS Floodlighting Range
- LORD Floodlighting Range
- PRINCE Floodlighting Range



| description | Nominal Height | Top Diameter | Base Diameter | Root End Diameter | Planting Depth | Overall Length | Door to Ground | Door Opening Length | Door Opening Width | Weight kg* | Bending Moment (ULS) Nm |
|----------------------------|----------------|--------------|---------------|-------------------|----------------|----------------|----------------|---------------------|--------------------|------------|-------------------------|
| | A | B | C | D | E | F | G | H | I | | |
| 2.5m conical standard duty | 2500 | 76 | 118.5 | 132.1 | 800 | 3300 | 400 | 400 | 85 | 26 | 2802 |
| 3m conical standard duty | 3000 | 76 | 112 | 121.6 | 800 | 3800 | 400 | 400 | 85 | 28.5 | 2802 |
| 3m conical heavy duty | 3000 | 76 | 127.2 | 140.9 | 800 | 3800 | 400 | 400 | 85 | 31.5 | 4365 |
| 3.5m conical standard duty | 3500 | 76 | 135.5 | 149.1 | 800 | 4300 | 500 | 500 | 100 | 37 | 4210 |
| 4m conical standard duty | 4000 | 76 | 124 | 133.6 | 800 | 4800 | 400 | 400 | 85 | 38.3 | 4210 |
| 4m conical heavy duty | 4000 | 76 | 144 | 157.6 | 800 | 4800 | 500 | 500 | 100 | 42.8 | 4827 |
| 4.5m conical standard duty | 4500 | 76 | 152.5 | 166.1 | 800 | 5300 | 500 | 500 | 100 | 49 | 4217 |
| 5m conical standard duty | 5000 | 76 | 136 | 145.6 | 800 | 5800 | 500 | 500 | 100 | 49 | 4217 |
| 5m conical heavy duty | 5000 | 76 | 161 | 174.6 | 800 | 5800 | 500 | 500 | 100 | 55.6 | 6945 |
| 5.5m conical standard duty | 5500 | 76 | 169.5 | 186.5 | 1000 | 6500 | 500 | 500 | 100 | 65.4 | 5702 |
| 6m conical standard duty | 6000 | 76 | 148 | 160 | 1000 | 7000 | 500 | 500 | 100 | 63.1 | 5702 |
| 6m conical heavy duty | 6000 | 76 | 178 | 195 | 1000 | 7000 | 500 | 500 | 100 | 72.7 | 9145 |
| 8m conical standard duty | 8000 | 76 | 172 | 186.4 | 1200 | 9200 | 500 | 600 | 115 | 92.5 | 7311 |
| 8m conical heavy duty | 8000 | 76 | 212 | 232.4 | 1200 | 9200 | 500 | 600 | 115 | 109.1 | 12191 |
| 10m conical standard duty | 10000 | 76 | 196 | 214 | 1500 | 11500 | 500 | 600 | 115 | 169.6 | 15565 |
| 10m conical heavy duty | 10000 | 76 | 246 | 271.5 | 1500 | 11500 | 500 | 600 | 115 | 204.1 | 25857 |
| 12m conical standard duty | 12000 | 76 | 220 | 240.4 | 1700 | 13700 | 500 | 600 | 115 | 220.9 | 21049 |
| 12m conical heavy duty | 12000 | 76 | 280 | 308.9 | 1700 | 13700 | 500 | 600 | 115 | 270 | 34935 |

* Exclusion TBC

| | | | |
|--------------|-------------------------|--------------|-----------|
| 2.5-6m Poles | Flange Plate FB1 | Bolts | M18 x 400 |
| 8-12m Poles | Flange Plate FB2 | Bolts | M24 x 820 |

Flange Plate and Anchor Bolt information will be confirmed at time of order due to the necessity in ensuring the correct plate and Anchor Bolts are supplied.

Column type to be confirmed at time of order as this is based on luminaire weight, windage and geographical location.

Anchor bolts

For columns supplied with optional flange base Holophane offers two types of foundation bolts.

Note: The material used for the bolts is Fe E500 grade steel, with yield strength 500 N/mm² and minimum UTS 550 N/mm².

- HEL.FS1 M18 Bolts (FS1) x 400 mm long
- HEL.FS2 M24 Bolts (FS2) x 820 mm long

